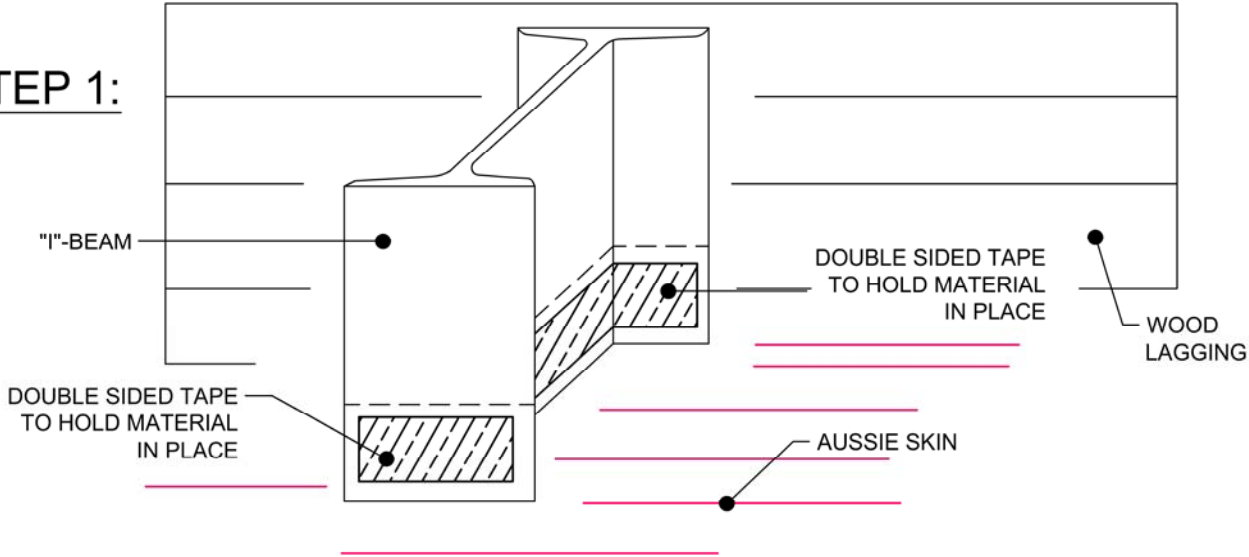


DETAIL #:
AVM-550-1564
 AVM System 550
Aussie Skin 550

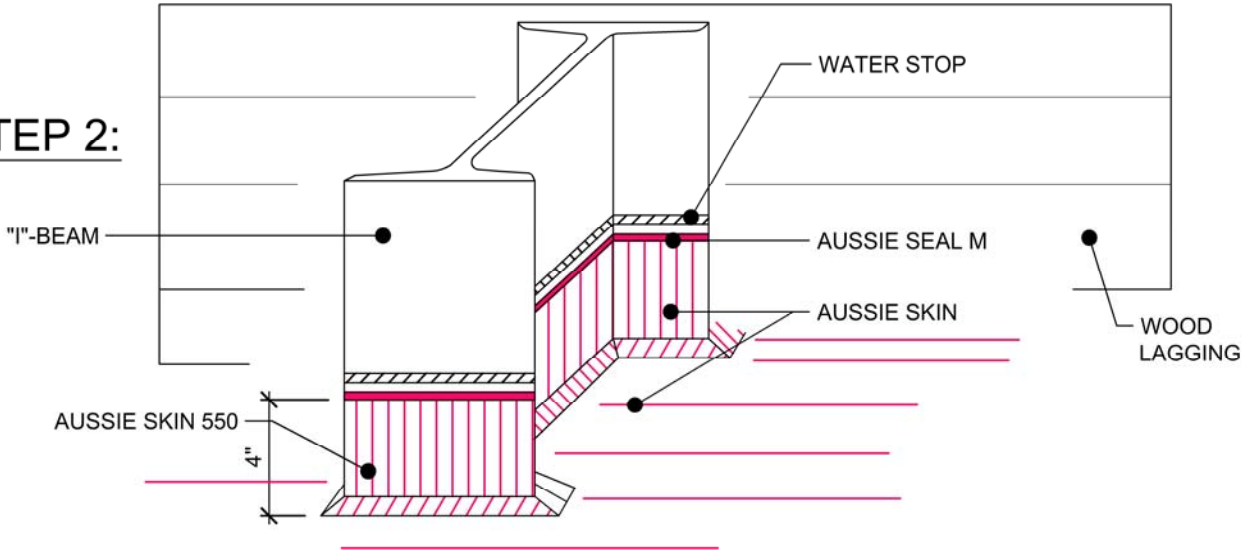
Base of "I" Beams or Base of Back
 Lagged "I" Beams.



STEP 1:



STEP 2:



- NOTES:
1. Aussie Skin 550 is a Heavy, Duty, Easy to Install, Puncture Resistant Sheet Waterproofing Membrane with added technologies creating excellent adhesion between the membrane and wet Concrete or Shot-Crete.
 2. All surfaces must be clean and sound before installing the Lap Joints

Below Water Table Installations
 101 For Aussie Skin installations below the water table, contact AVM to verify ALL details!