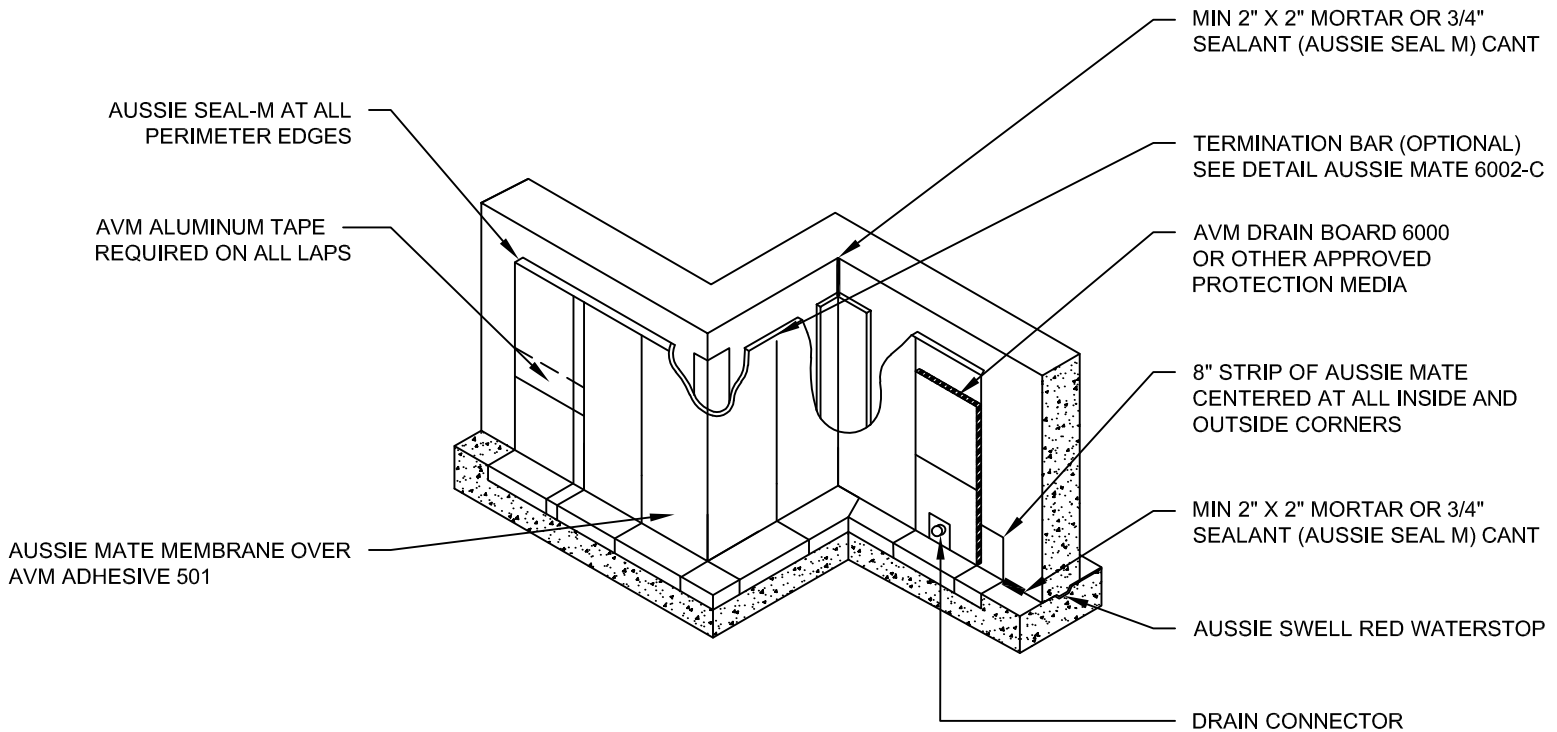


DETAIL #:
AVM-AUSSIE-MATE-0001-M

AUSSIE MATE® 580-AL

LARR Methane
Retaining Walls
OVERVIEW
AVM AUSSIE MATE®
Bituminous Sheet Waterproofing



NOTES:

1. Aussie Mate 580-AL is an LARR approved Waterproofing membrane and Methane Barrier.
2. Aussie Mate 580-AL is a UV stable, 60-mil heavy duty bituminous sheet membrane with aluminum protection layer for Below-Grade waterproofing applications.
Aussie Mate 580-AL may also be used as a methane and/or vapor barrier under horizontal slabs on grade.
3. For applications from 25^oF- 50^oF, contact AVM for cold weather installation instructions.
4. For appropriate drainage/protection, use AVM Drain Board 6000 or other approved protection media.
5. Contact AVM if no drain board or protection media is specified.
6. All Aussie Mate overlaps must be minimum 2.0". See "Lapping Details" for more information.