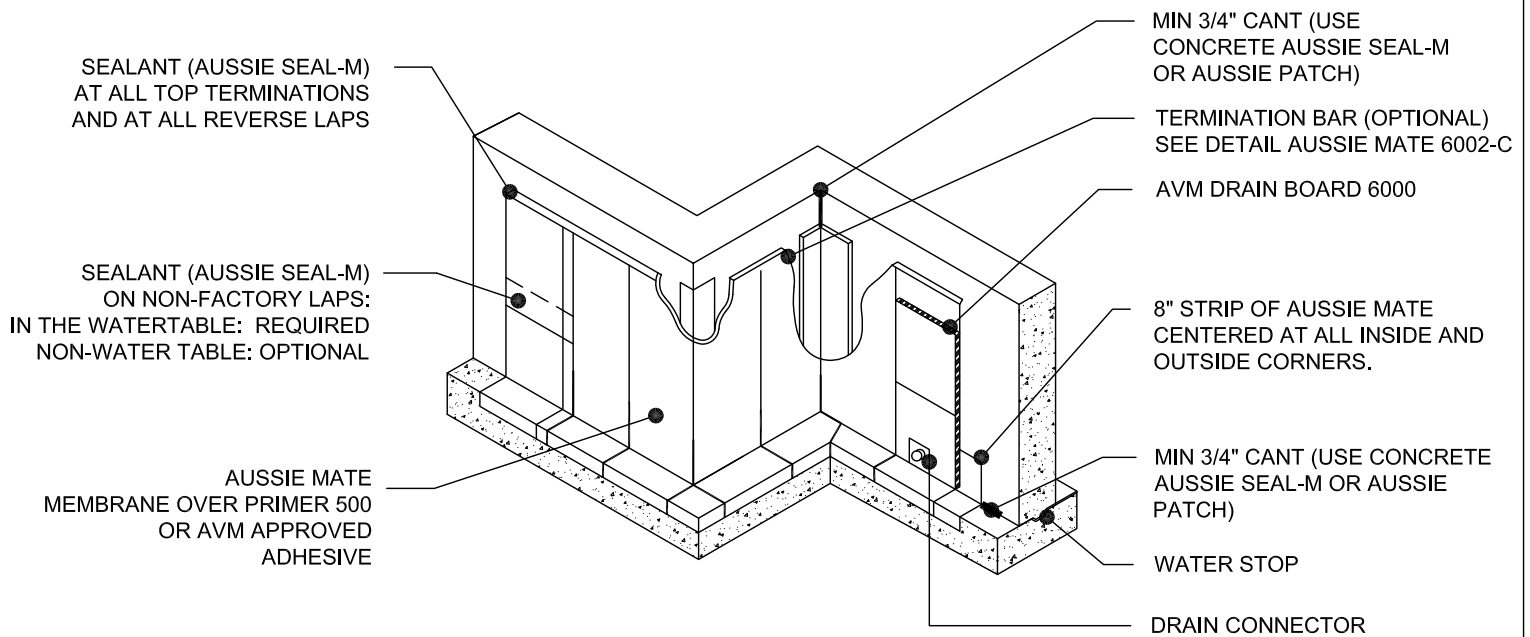


DETAIL #:
AVM-AUSSIE-MATE-0001

AVM SYSTEM 580/582/585

AUSSIE MATE®

Retaining Walls
OVERVIEW
AVM AUSSIE MATE®
Bituminous Sheet Waterproofing



NOTES:

1. Aussie Mate® Membranes are heavy duty bituminous waterproofing sheet membranes for Below-Grade waterproofing applications. Aussie Mate® 580-A Land 582-AL are UV stable, 60-mil membranes with an aluminum protection layer. Aussie Mate® 585-CW is a cold weather membrane that can be installed at temperatures as low as 25°F (-4°C).
2. For appropriate drainage/protection, use AVM Drain Board 6000.
3. Contact AVM if no drain board or protection board is specified.
4. Only AVM approved liquid adhesives or primers may be used. (water-based and solvent-based adhesives/primers are available)
5. AVM's "Bottom Drain 12" may be accepted in lieu of the perforated drainage pipe (French Drain). Check local building codes for approval.
6. Exposed top of footing is More than 3"
7. All Aussie Mate overlaps must be minimum 2.5".

AVM Industries, Inc.
8245 Remmet Ave, Canoga Park, CA 91304

Quality Waterproofing Products

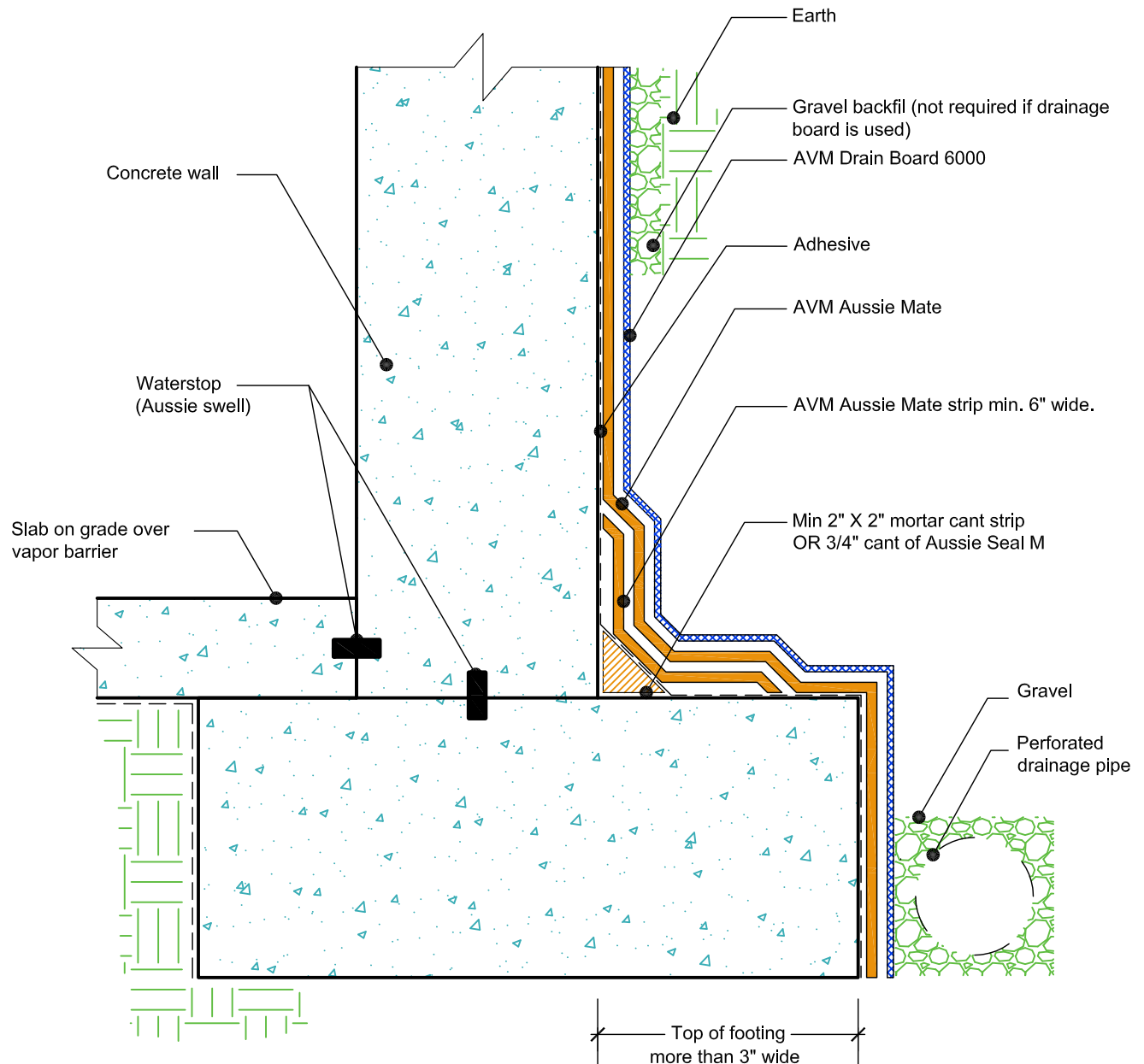
888.414.1041 818.888.0050
www.avmindustries.com

DETAIL #:
AVM-AUSSIE-MATE-0002-C

AVM SYSTEM 580/582/585

AUSSIE MATE®

Retaining Walls
Slab on Grade at Top of Footing
AVM AUSSIE MATE®
Bituminous Sheet Waterproofing.



NOTES:

1. Aussie Mate® Membranes are heavy duty bituminous waterproofing sheet membranes for Below-Grade waterproofing applications. Aussie Mate® 580-AL and 582-AL are UV stable, 60-mil membranes with an aluminum protection layer. Aussie Mate® 585-CW is a cold weather membrane that can be installed at temperatures as low as 25°F (-4°C).
2. For appropriate drainage/protection, use AVM Drain Board 6000.
3. Contact AVM if no drain board or protection board is specified.
4. Only AVM approved liquid adhesives or primers may be used. (water-based and solvent-based adhesives/primers are available)
5. AVM's "Bottom Drain 12" may be accepted in lieu of the perforated drainage pipe (French Drain). Check local building codes for approval.
6. Exposed top of footing is More than 3"
7. Inside corner (Wall-to-Footing) shown with Water Stop (Aussie Swell®)
8. All Aussie Mate overlaps must be minimum 2.5".

AVM Industries, Inc.
8245 Remmet Ave, Canoga Park, CA 91304

Quality Waterproofing Products

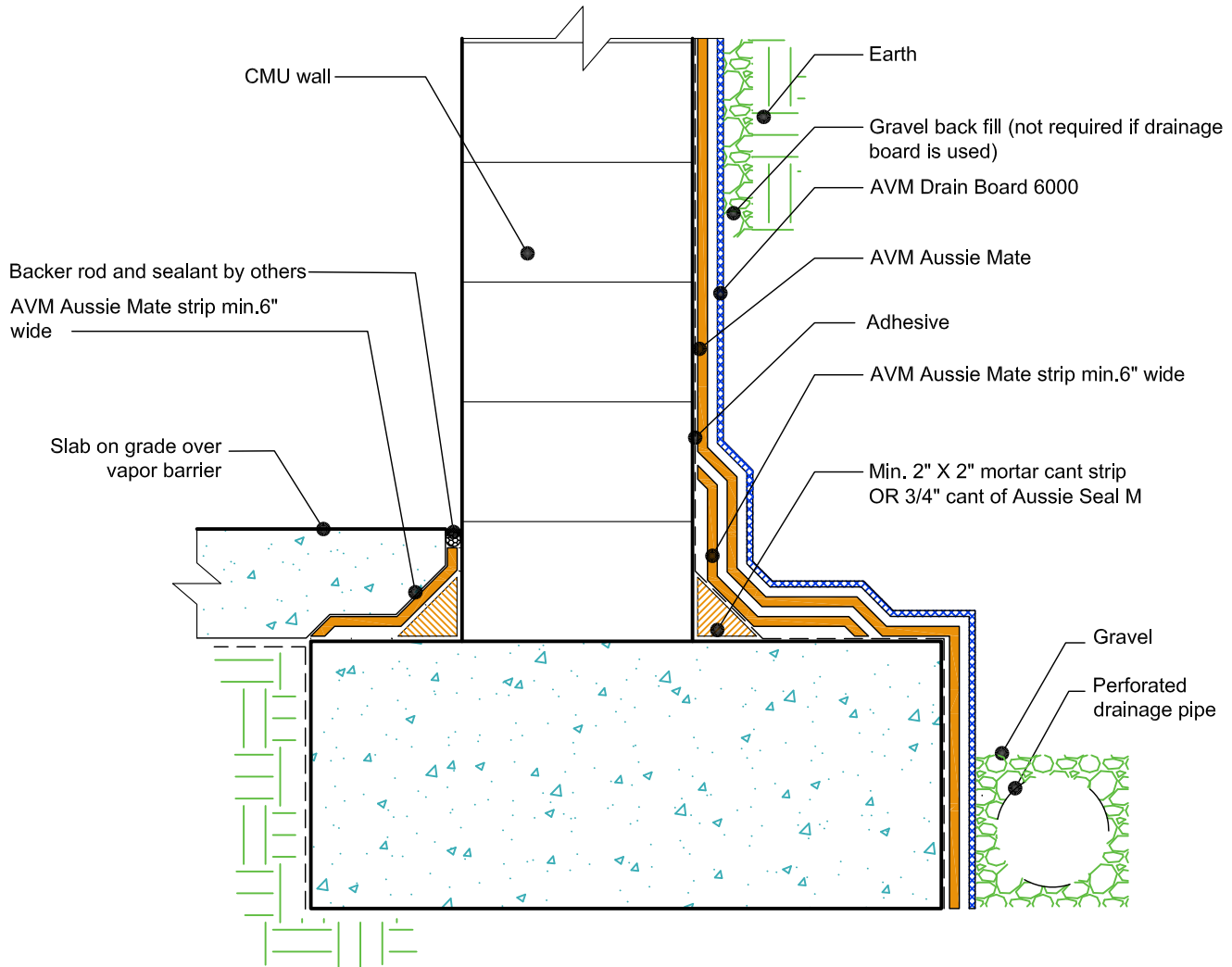
888.414.1041 818.888.0050
www.avmindustries.com

FILE NAME:
AUSSIE-MATE-0002-C-Retaining-Walls-Slab-On-Grade-At-Top-Of-Footing-CS

Revision Date: 2/19/2018
Protected by Copyright © AVM Industries, Inc.

DETAIL #:
 AUSSIE-MATE-0004-C
 AVM SYSTEM 580/582/585
 AUSSIE MATE®

Retaining Walls
 Slab on Grade at Top of Footing
 AVM AUSSIE MATE®
 Bituminous Sheet Waterproofing.



- NOTES:**
1. Aussie Mate® Membranes are heavy duty bituminous waterproofing sheet membranes for Below-Grade waterproofing applications. Aussie Mate® 580-AL and 582-AL are UV stable, 60-mil membranes with an aluminum protection layer. Aussie Mate® 585-CW is a cold weather membrane that can be installed at temperatures as low as 25°F (-4°C).
 2. For appropriate drainage/protection, use AVM Drain Board 6000.
 3. Contact AVM if no drain board or protection board is specified.
 4. Only AVM approved liquid adhesives or primers may be used. (water-based and solvent-based adhesives/primers are available)
 5. AVM's "Bottom Drain 12" may be accepted in lieu of the perforated drainage pipe (French Drain). Check local building codes for approval.
 6. Exposed top of footing is More than 3"
 7. Inside corner (Wall-to-Footing) shown with Aussie Mate® corner detail
 8. All Aussie Mate overlaps must be minimum 2.5".

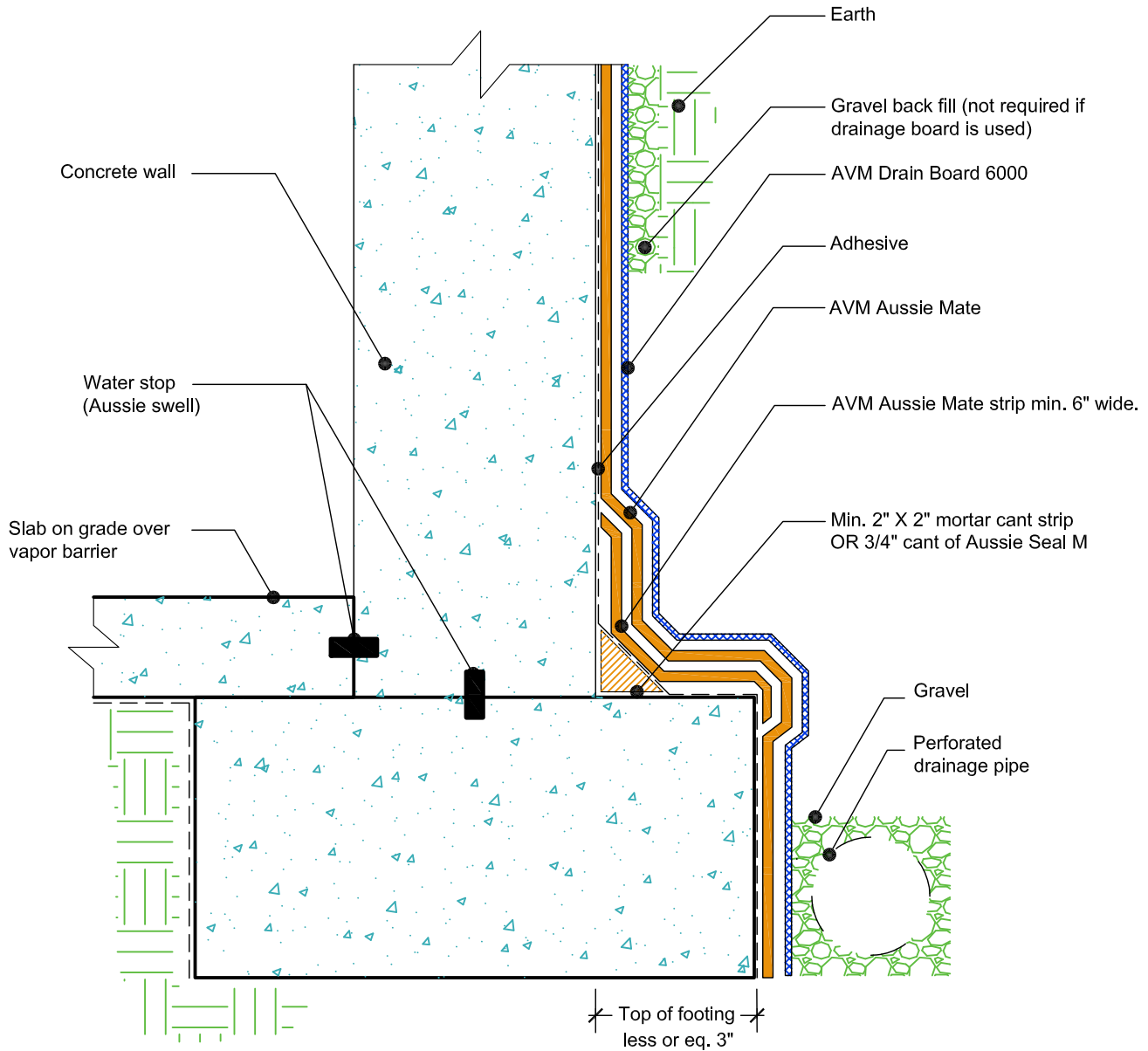
AVM Industries, Inc.
 8245 Remmet Ave, Canoga Park, CA 91304

Quality Waterproofing Products

888.414.1041 818.888.0050
 www.avmindustries.com

DETAIL #:
 AUSSIE-MATE-0006-C
 AVM SYSTEM 580/582/585
 AUSSIE MATE®

Retaining Walls
 Slab on Grade at Top of Footing
 AVM AUSSIE MATE®
 Bituminous Sheet Waterproofing.



- NOTES:**
1. Aussie Mate® Membranes are heavy duty bituminous waterproofing sheet membranes for Below-Grade waterproofing applications. Aussie Mate® 580-AL and 582-AL are UV stable, 60-mil membranes with an aluminum protection layer. Aussie Mate® 585-CW is a cold weather membrane that can be installed at temperatures as low as 25°F (-4°C).
 2. For appropriate drainage/protection, use AVM Drain Board 6000.
 3. Contact AVM if no drain board or protection board is specified.
 4. Only AVM approved liquid adhesives or primers may be used. (water-based and solvent-based adhesives/primers are available)
 5. AVM's "Bottom Drain 12" may be accepted in lieu of the perforated drainage pipe (French Drain). Check local building codes for approval.
 6. Exposed top of footing is Less than 3"
 7. Inside corner (Wall-to-Footing) shown with Water Stop (Aussie Swell®)
 8. All Aussie Mate overlaps must be minimum 2.5".

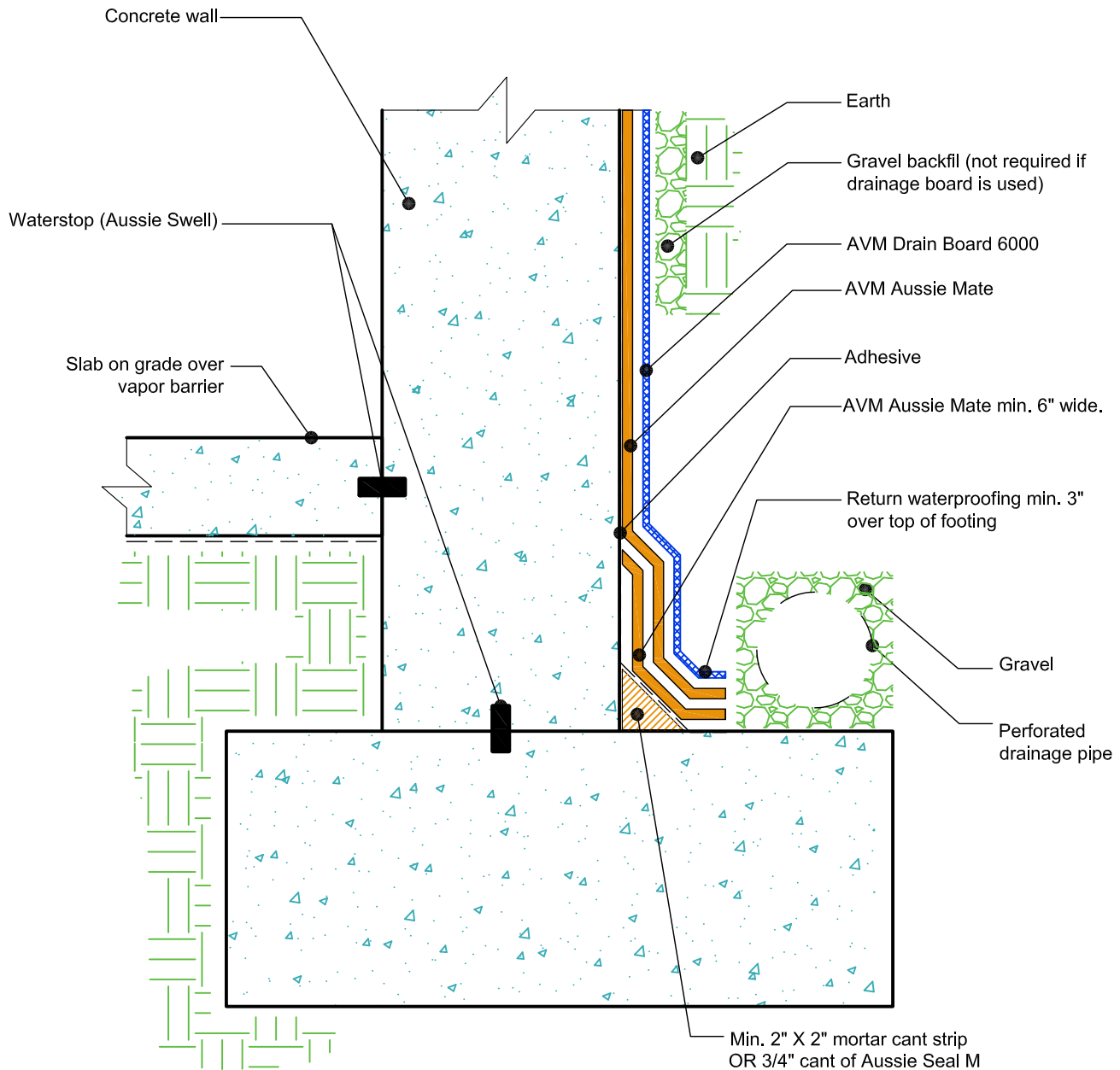
AVM Industries, Inc.
 8245 Remmet Ave, Canoga Park, CA 91304

Quality Waterproofing Products

888.414.1041 818.888.0050
 www.avmindustries.com

DETAIL #:
 AUSSIE-MATE-0008-C
 AVM SYSTEM 580/582/585
 AUSSIE MATE®

Retaining Walls
 Elevated Slab on Grade at Top of Footing
 AVM AUSSIE MATE®
 Bituminous Sheet Waterproofing.



- NOTES:**
1. Aussie Mate® Membranes are heavy duty bituminous waterproofing sheet membranes for Below-Grade waterproofing applications. Aussie Mate® 580-AL and 582-AL are UV stable, 60-mil membranes with an aluminum protection layer. Aussie Mate® 585-CW is a cold weather membrane that can be installed at temperatures as low as 25°F (-4°C).
 2. For appropriate drainage/protection, use AVM Drain Board 6000.
 3. Contact AVM if no drain board or protection board is specified.
 4. Only AVM approved liquid adhesives or primers may be used. (water-based and solvent-based adhesives/primers are available)
 5. AVM's "Bottom Drain 12" may be accepted in lieu of the perforated drainage pipe (French Drain). Check local building codes for approval.
 6. Exposed top of footing is More than 3"
 7. Inside corner (Wall-to-Footing) shown with Water Stop (Aussie Swell®)
 8. All Aussie Mate overlaps must be minimum 2.5".

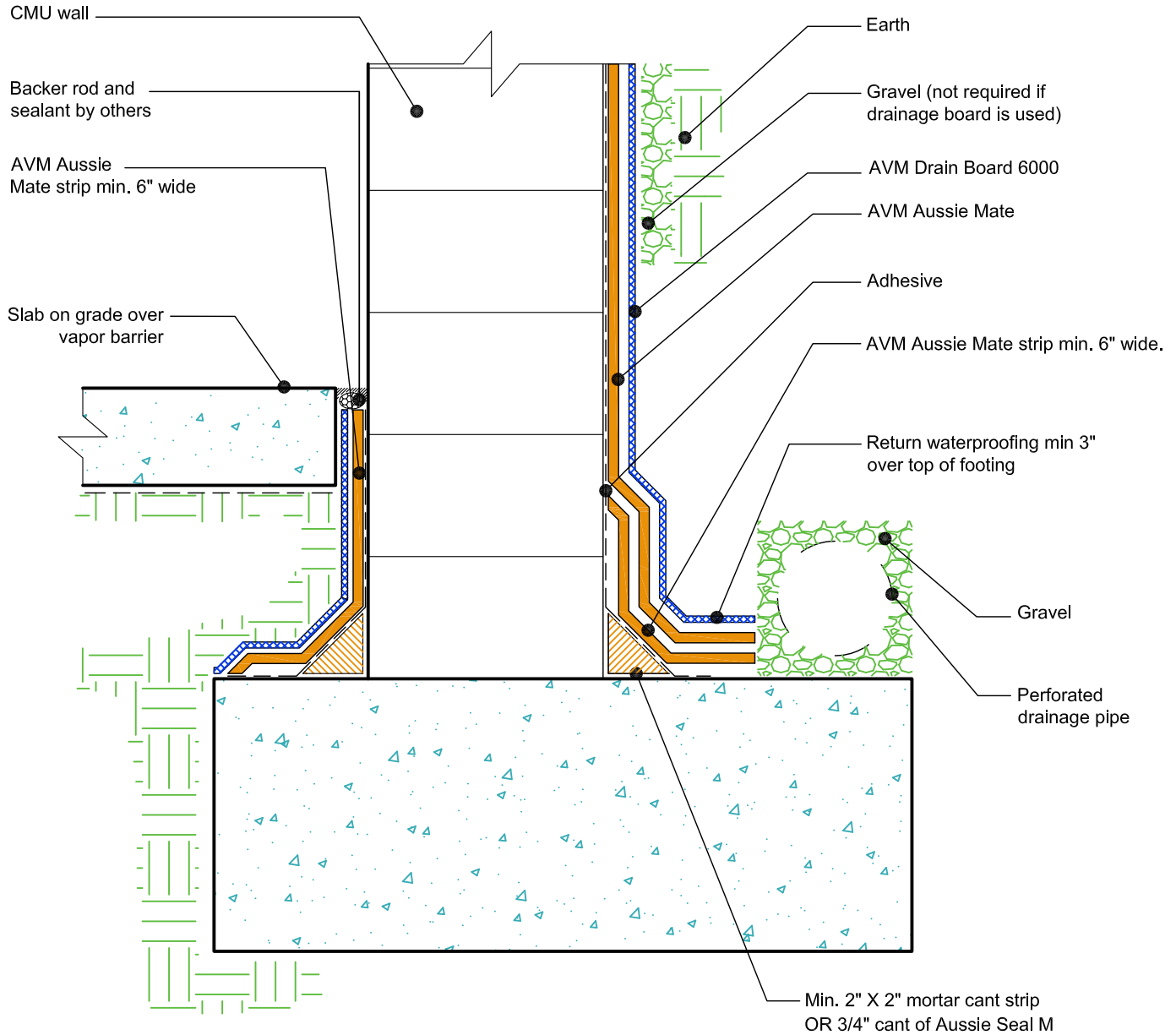
AVM Industries, Inc.
 8245 Remmet Ave, Canoga Park, CA 91304

Quality Waterproofing Products

888.414.1041 818.888.0050
 www.avmindustries.com

DETAIL #:
 AUSSIE-MATE-0010-C
 AVM SYSTEM 580/582/585
 AUSSIE MATE®

Retaining Walls
 Elevated Slab on Grade at Top of Footing
 AVM AUSSIE MATE®
 Bituminous Sheet Waterproofing.



- NOTES:**
1. Aussie Mate® Membranes are heavy duty bituminous waterproofing sheet membranes for Below-Grade waterproofing applications. Aussie Mate® 580-AL and 582-AL are UV stable, 60-mil membranes with an aluminum protection layer. Aussie Mate® 585-CW is a cold weather membrane that can be installed at temperatures as low as 25°F (-4°C).
 2. For appropriate drainage/protection, use AVM Drain Board 6000.
 3. Contact AVM if no drain board or protection board is specified.
 4. Only AVM approved liquid adhesives or primers may be used. (water-based and solvent-based adhesives/primers are available)
 5. AVM's "Bottom Drain 12" may be accepted in lieu of the perforated drainage pipe (French Drain). Check local building codes for approval.
 6. Exposed top of footing is More than 3"
 7. Inside corner (Wall-to-Footing) shown with Aussie Mate® corner detail
 8. All Aussie Mate overlaps must be minimum 2.5".

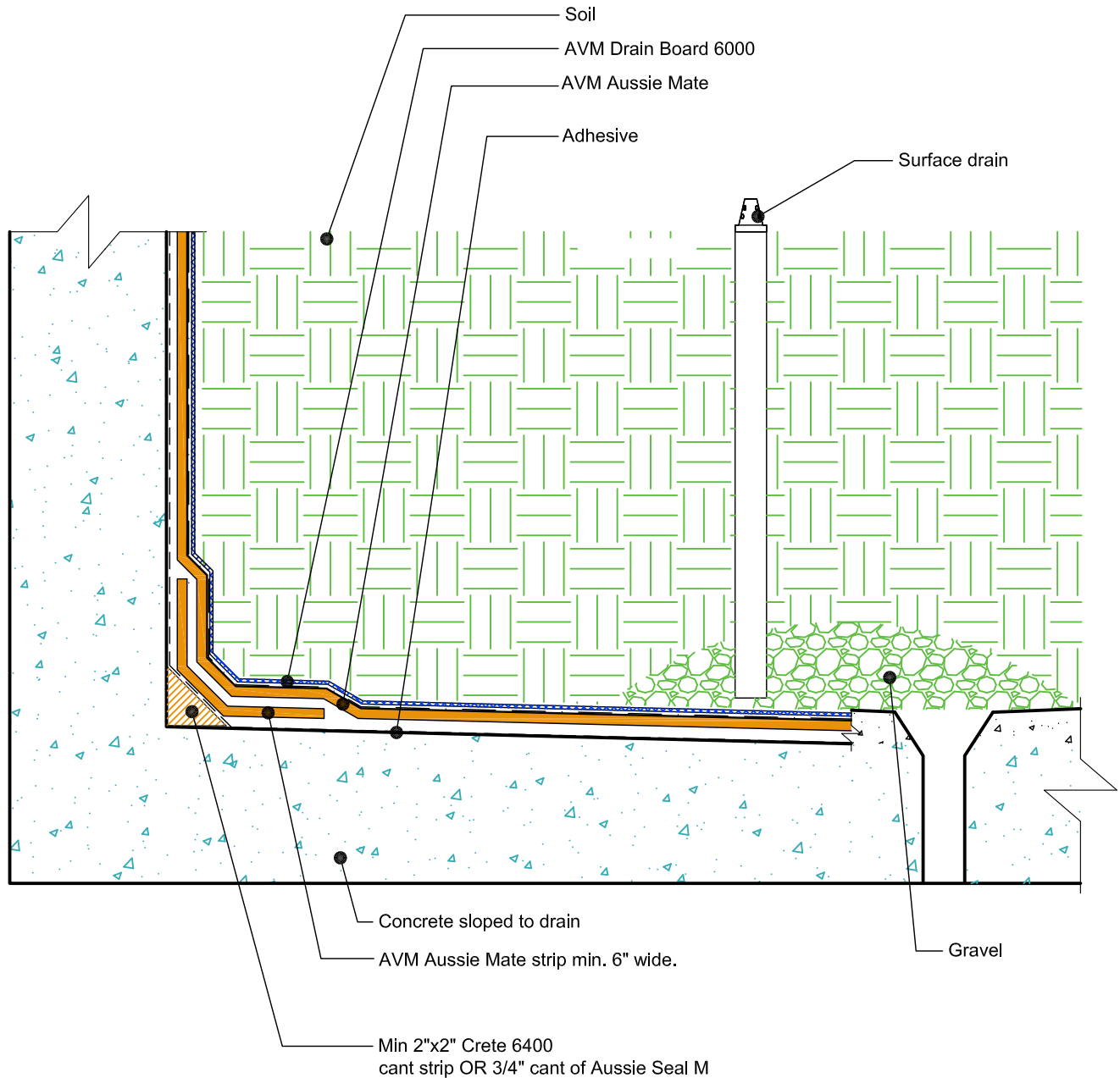
AVM Industries, Inc.
 8245 Remmet Ave, Canoga Park, CA 91304

Quality Waterproofing Products

888.414.1041 818.888.0050
 www.avmindustries.com

DETAIL #:
AUSSIE-MATE-1502-C
AVM SYSTEM 580/582/585
AUSSIE MATE®

Planter Basic Detail
AVM AUSSIE MATE®
Bituminous Sheet Waterproofing.



- NOTES:**
1. Aussie Mate® Membranes are heavy duty bituminous waterproofing sheet membranes for Below-Grade waterproofing applications. Aussie Mate® 580-AL and 582-AL are UV stable, 60-mil membranes with an aluminum protection layer. Aussie Mate® 585-CW is a cold weather membrane that can be installed at temperatures as low as 25°F (-4°C).
 2. For appropriate drainage/protection, use AVM Drain Board 6000.
 3. Contact AVM if no drain board or protection board is specified.
 4. Only AVM approved liquid adhesives or primers may be used. (water-based and solvent-based adhesives/primers are available)
 5. All Aussie Mate overlaps must be minimum 2.5".
 6. Planters must have sufficient slope, sufficient drains and proper drainage systems to effectively evacuate excessive water.
 7. Planters must be sloped to drains before membrane installation. (Min 1/4" per foot) Use AVM Crete 6400/6460 or other approved concrete.
 8. Crete 6400/6460. Refer to the Crete 6400 or Crete 6460 Tech Data Sheets or Installation Instructions for more information.

AVM Industries, Inc.
8245 Remmet Ave, Canoga Park, CA 91304

Quality Waterproofing Products

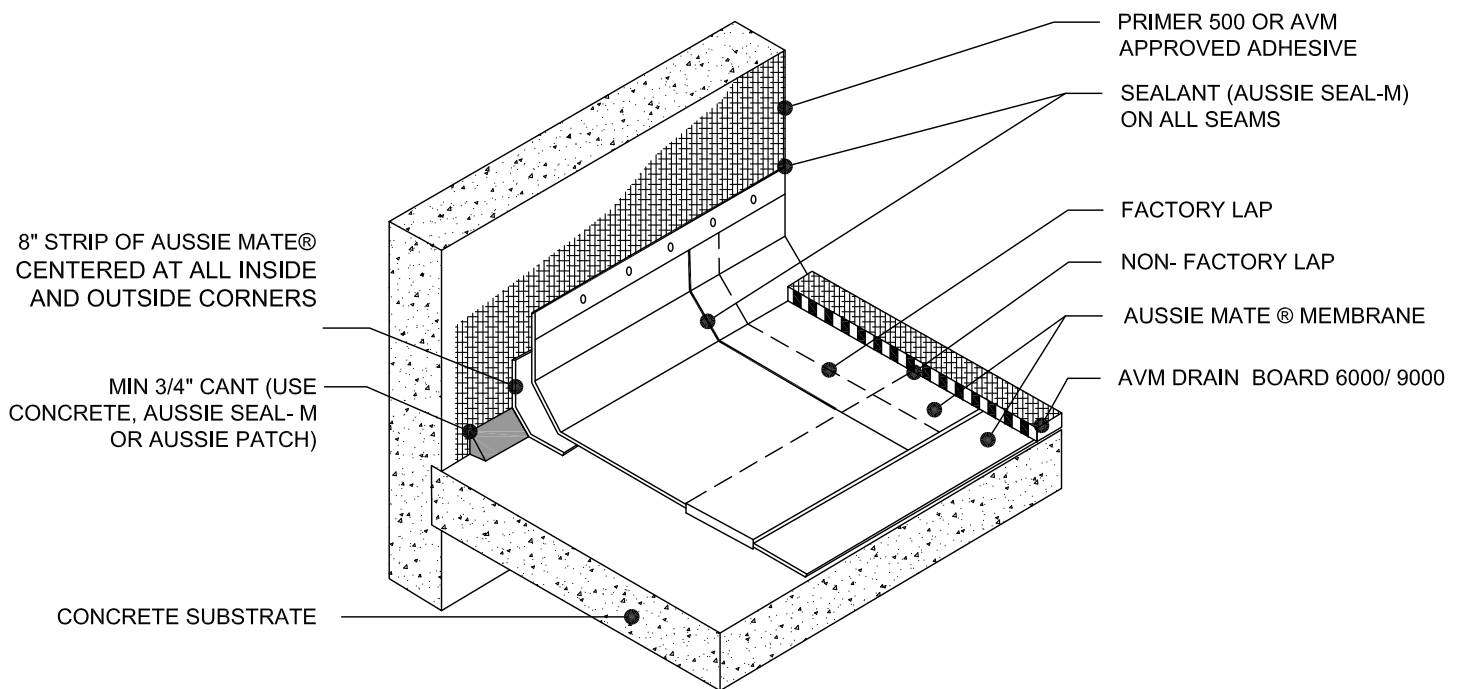
888.414.1041 818.888.0050
www.avmindustries.com

FILE NAME:
AUSSIE-MATE-1502-C-Planter-Basic-Detail-CS

Revision Date: 2/19/2018
Protected by Copyright @ AVM Industries, Inc.

DETAIL #:
 AUSSIE-MATE-3001
 AVM SYSTEM 580/582/585
 AUSSIE MATE®

Horizontal Slab Wall Termination
 AVM AUSSIE MATE®
 Bituminous Sheet Waterproofing



NOTES:

1. Aussie Mate® Membranes are heavy duty bituminous waterproofing sheet membranes for Below-Grade waterproofing applications. Aussie Mate® 580-AL and 582-AL are UV stable, 60-mil membranes with an aluminum protection layer. Aussie Mate® 585-CW is a cold weather membrane that can be installed at temperatures as low as 25°F (-4°C).
2. For appropriate drainage/protection, use AVM Drain Board 6000.
3. Contact AVM if no drain board or protection board is specified.
4. Only AVM approved liquid adhesives or primers may be used. (water-based and solvent-based adhesives/primers are available)
5. All Aussie Mate overlaps must be minimum 2.5".

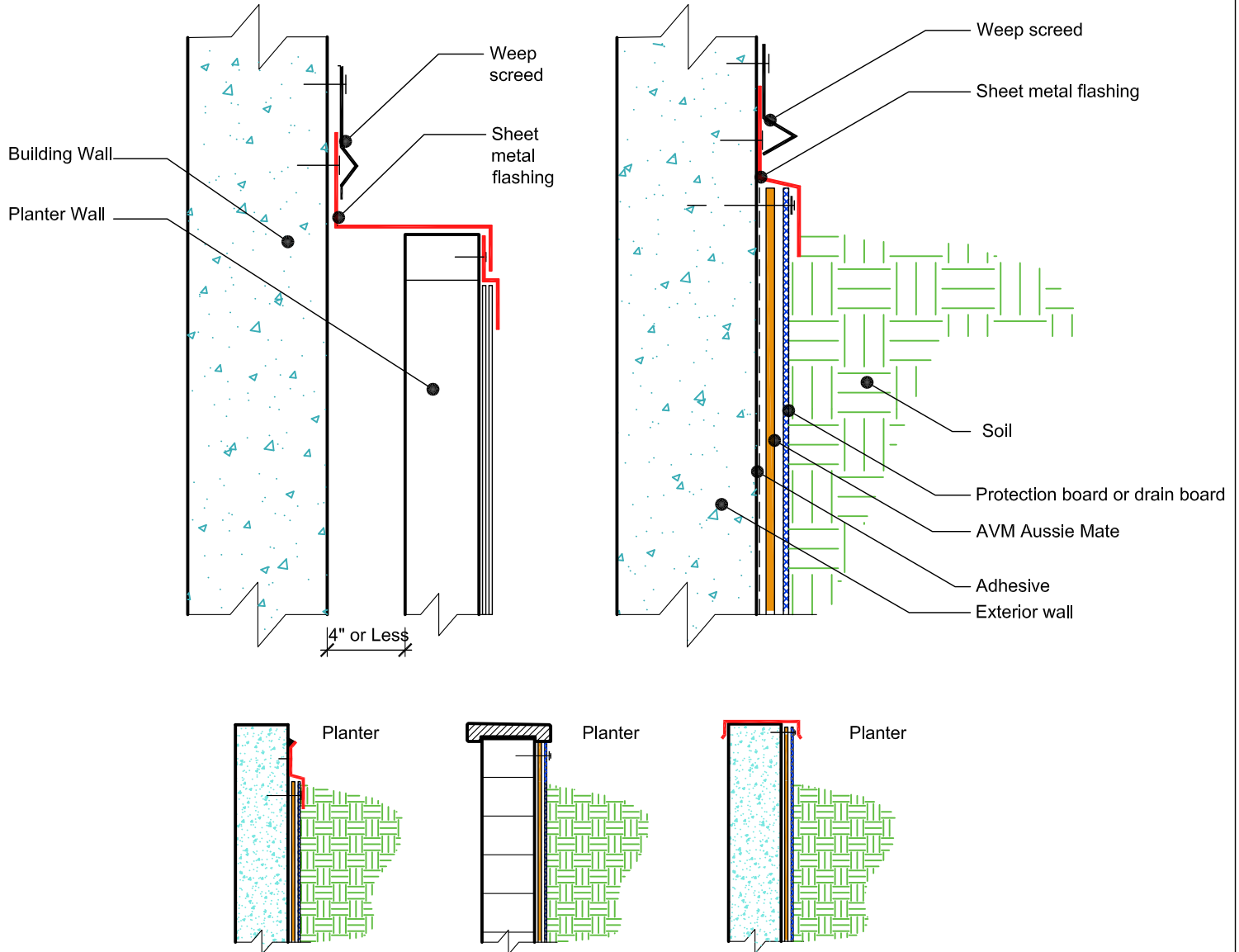
AVM Industries, Inc.
 8245 Remmet Ave, Canoga Park, CA 91304

Quality Waterproofing Products

888.414.1041 818.888.0050
 www.avmindustries.com

DETAIL #:
 AUSSIE-MATE-6002-C
 AVM SYSTEM 580/582/585
 AUSSIE MATE®

Terminations
 AVM AUSSIE MATE®
 Bituminous Sheet Waterproofing.



- NOTES:**
1. Aussie Mate® Membranes are heavy duty bituminous waterproofing sheet membranes for Below-Grade waterproofing applications. Aussie Mate® 580-AL and 582-AL are UV stable, 60-mil membranes with an aluminum protection layer, Aussie Mate® 585-CW is a cold weather membrane that can be installed at temperatures as low as 25°F (-4°C).
 2. For appropriate drainage/protection, use AVM Drain Board 6000.
 3. Contact AVM if no drain board or protection board is specified.
 4. Only AVM approved liquid adhesives or primers may be used. (water-based and solvent-based adhesives/primers are available)
 5. All Fasteners must be sealed with Sealant (Aussie Seal® M)

AVM Industries, Inc.
 8245 Remmet Ave, Canoga Park, CA 91304

Quality Waterproofing Products

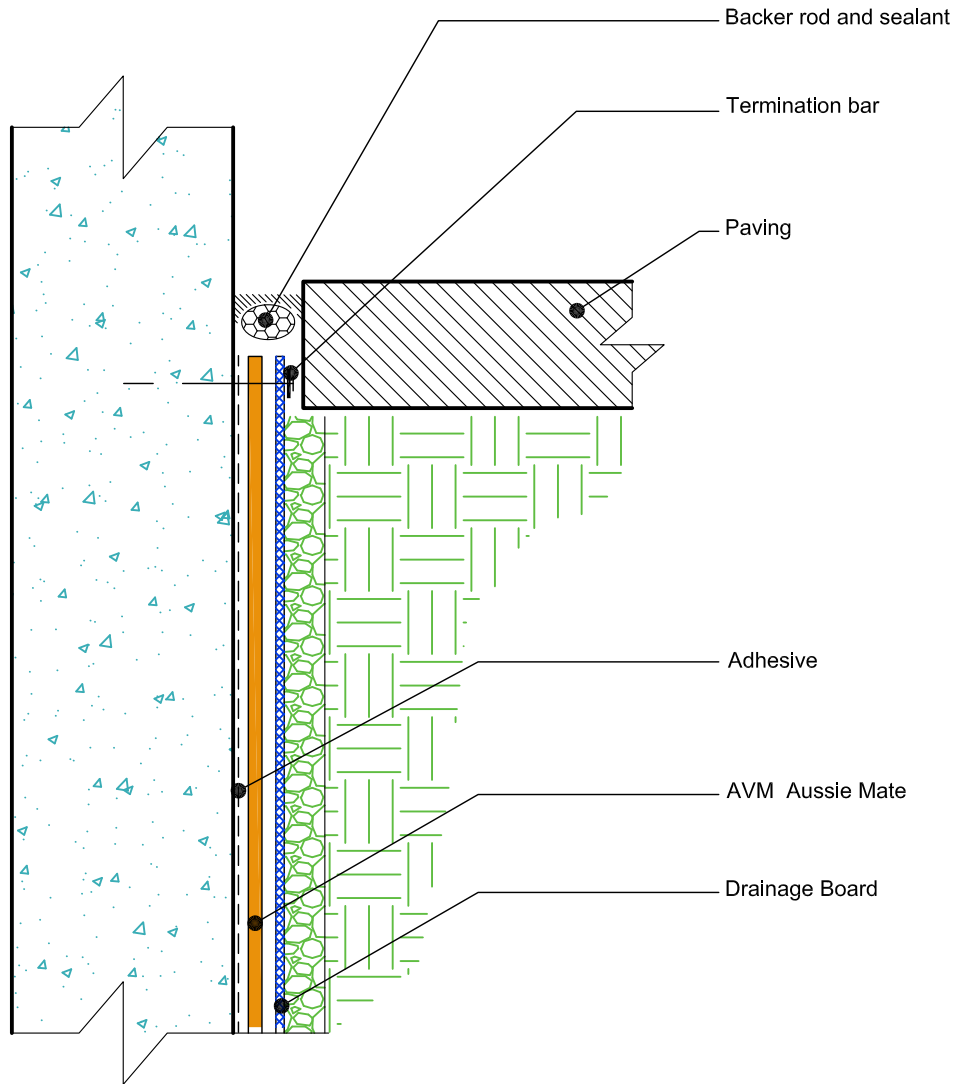
888.414.1041 818.888.0050
 www.avmindustries.com

FILE NAME:
 AUSSIE-MATE-6002-C-Termination-Walls-CS

Revision Date: 2/19/2018
 Protected by Copyright @ AVM Industries, Inc.

DETAIL #:
AUSSIE-MATE-6004-C
AVM SYSTEM 580/582/585
AUSSIE MATE®

Terminations at Sidewalks on Grade
AVM AUSSIE MATE®
Bituminous Sheet Waterproofing.



- NOTES:**
1. Aussie Mate® Membranes are heavy duty bituminous waterproofing sheet membranes for Below-Grade waterproofing applications. Aussie Mate® 580-AL and 582-AL are UV stable, 60-mil membranes with an aluminum protection layer. Aussie Mate® 585-CW is a cold weather membrane that can be installed at temperatures as low as 25°F (-4°C).
 2. For appropriate drainage/protection, use AVM Drain Board 6000.
 3. Contact AVM if no drain board or protection board is specified.
 4. Only AVM approved liquid adhesives or primers may be used. (water-based and solvent-based adhesives/primers are available)

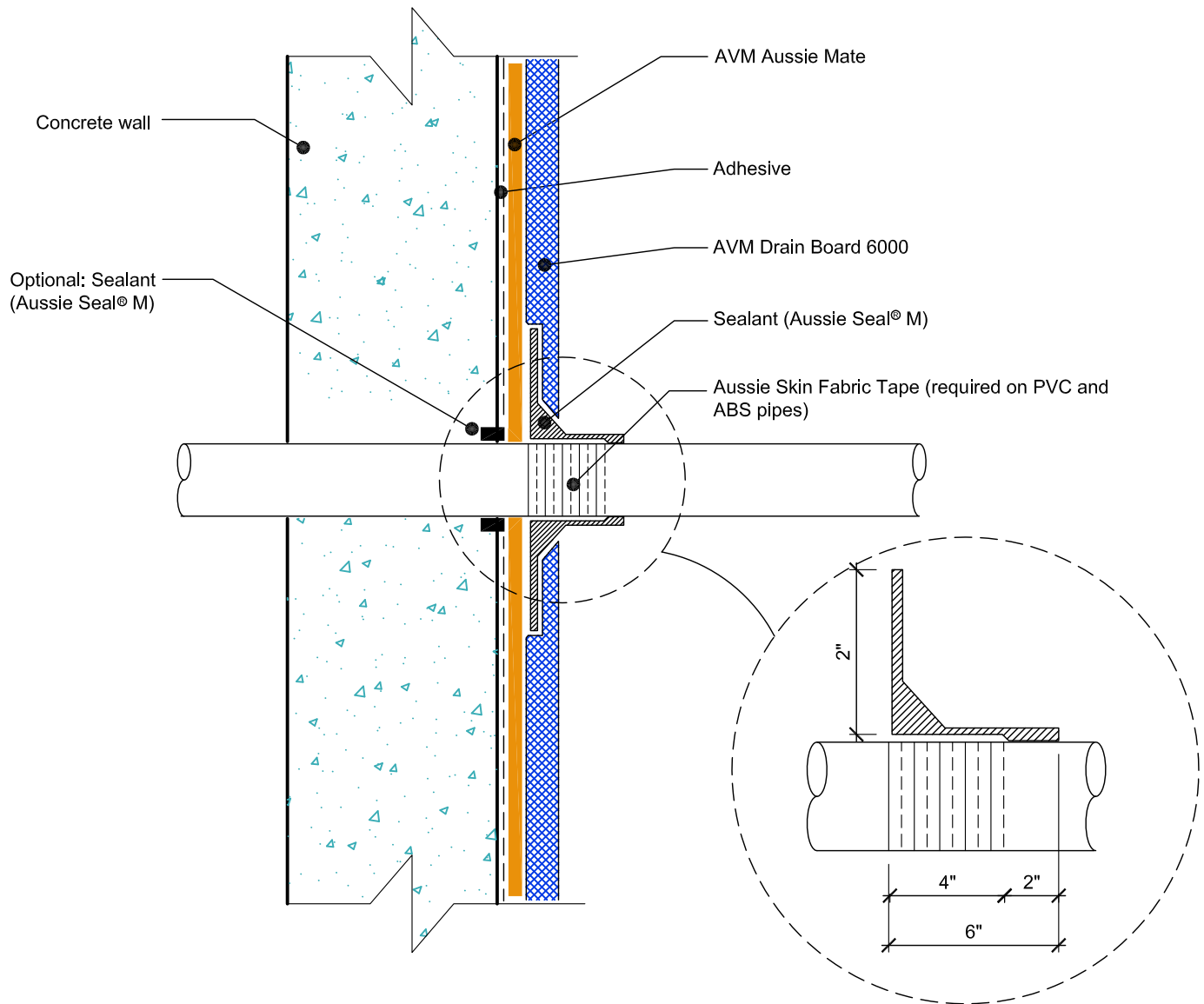
AVM Industries, Inc.
8245 Remmet Ave, Canoga Park, CA 91304

Quality Waterproofing Products

888.414.1041 818.888.0050
www.avmindustries.com

DETAIL #:
 AUSSIE-MATE-6508-C
 AVM SYSTEM 580/582/585
 AUSSIE MATE®

Pipe Penetration Thru Wall or Slab
 AVM AUSSIE MATE®
 Bituminous Sheet Waterproofing.



- NOTES:**
1. Aussie Mate® Membranes are heavy duty bituminous waterproofing sheet membranes for Below-Grade waterproofing applications. Aussie Mate® 580-AL and 582-AL are UV stable, 60-mil membranes with an aluminum protection layer. Aussie Mate® 585-CW is a cold weather membrane that can be installed at temperatures as low as 25°F (-4°C).
 2. For appropriate drainage/protection, use AVM Drain Board 6000.
 3. Contact AVM if no drain board or protection board is specified.
 4. Only AVM approved liquid adhesives or primers may be used. (water-based and solvent-based adhesives/primers are available)
 5. With Sealant (Aussie Seal® M) over Aussie Skin Fabric Tape around pipes.
 6. Aussie Mate must properly bond to pipe penetrations. Or, use Aussie Skin Fabric Tape+ Sealant (Aussie Seal® M) to seal pipes.
 7. Sealant must properly bond to pipe penetration. Best to use Aussie Skin Fabric Tape around pipe penetrations before applying Sealant.

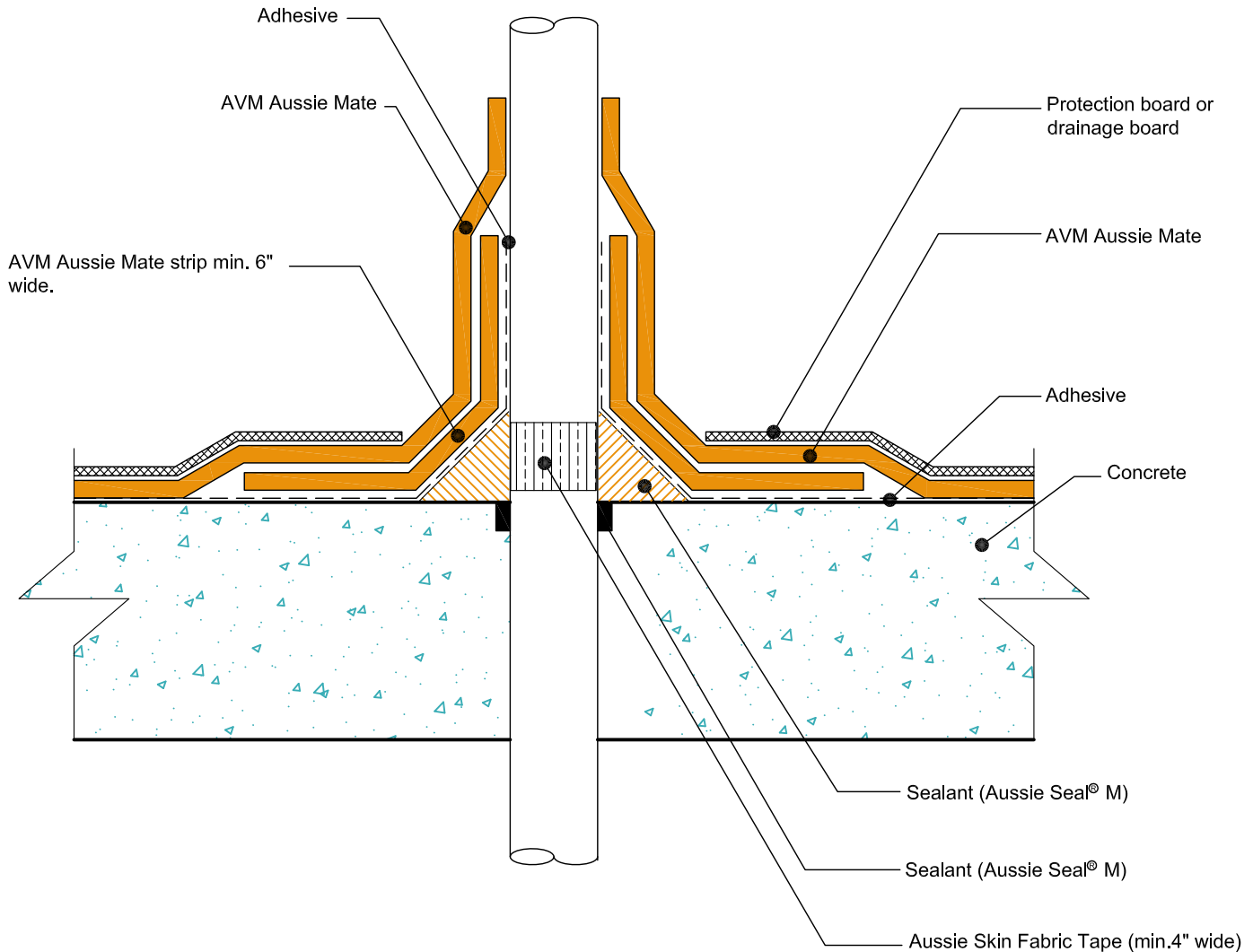
AVM Industries, Inc.
 8245 Remmet Ave, Canoga Park, CA 91304

Quality Waterproofing Products

888.414.1041 818.888.0050
 www.avmindustries.com

DETAIL #:
 AUSSIE-MATE-6702-C
 AVM SYSTEM 580/582/585
 AUSSIE MATE®

Pipe Penetration Thru Slab (Option 1)
 AVM AUSSIE MATE®
 Bituminous Sheet Waterproofing.



- NOTES:**
1. Aussie Mate® Membranes are heavy duty bituminous waterproofing sheet membranes for Below-Grade waterproofing applications. Aussie Mate® 580-AL and 582-AL are UV stable, 60-mil membranes with an aluminum protection layer. Aussie Mate® 585-CW is a cold weather membrane that can be installed at temperatures as low as 25°F (-4°C).
 2. For appropriate drainage/protection, use AVM Drain Board 6000.
 3. Contact AVM if no drain board or protection board is specified.
 4. Only AVM approved liquid adhesives or primers may be used. (water-based and solvent-based adhesives/primers are available)
 5. All Aussie Mate overlaps must be minimum 2.5\".
 6. With Sealant (Aussie Seal® M) over Aussie Skin Fabric Tape around pipes.
 7. Aussie Mate must properly bond to pipe penetrations. Or, use Aussie Skin Fabric Tape+ Sealant (Aussie Seal® M) to seal pipes.
 8. Sealant must properly bond to pipe penetration. Best to use Aussie Skin Fabric Tape around pipe penetrations before applying Sealant.

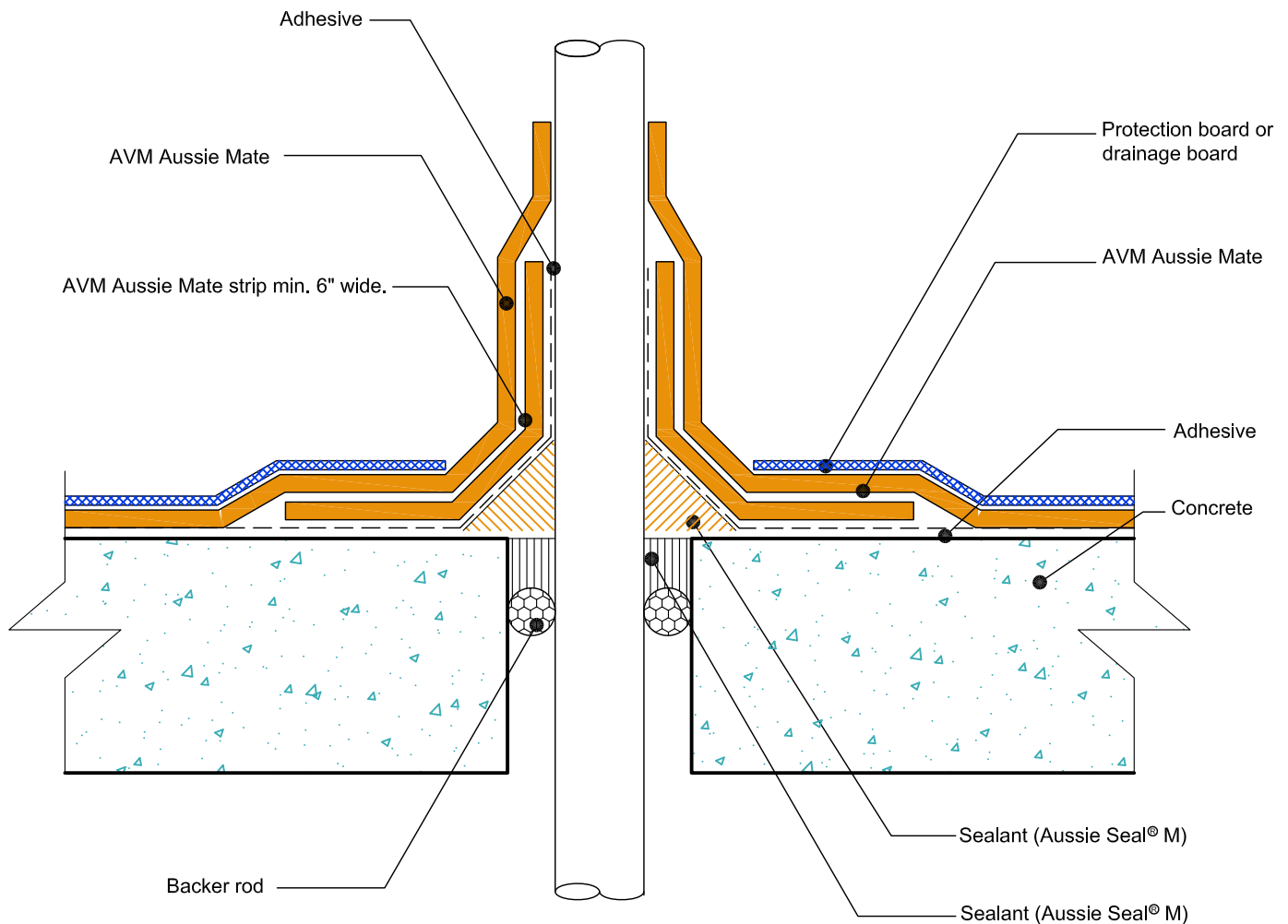
AVM Industries, Inc.
 8245 Remmet Ave, Canoga Park, CA 91304

Quality Waterproofing Products

888.414.1041 818.888.0050
 www.avmindustries.com

DETAIL #:
 AUSSIE-MATE-6704-C
 AVM SYSTEM 580/582/585
 AUSSIE MATE®

Pipe Penetration Thru Slab (Option 2)
 AVM AUSSIE MATE®
 Bituminous Sheet Waterproofing.



NOTES:

1. Aussie Mate® Membranes are heavy duty bituminous waterproofing sheet membranes for Below-Grade waterproofing applications. Aussie Mate® 580-AL and 582-AL are UV stable, 60-mil membranes with an aluminum protection layer. Aussie Mate® 585-CW is a cold weather membrane that can be installed at temperatures as low as 25°F (-4°C).
2. For appropriate drainage/protection, use AVM Drain Board 6000.
3. Contact AVM if no drain board or protection board is specified.
4. Only AVM approved liquid adhesives or primers may be used. (water-based and solvent-based adhesives/primers are available)
5. All Aussie Mate overlaps must be minimum 2.5".
6. With Backer Rod and Sealant (Aussie Seal® M) around pipe
7. Aussie Mate must properly bond to pipe penetrations. Or, use Aussie Skin Fabric Tape+ Sealant (Aussie Seal®M) to seal pipes.
8. Sealant must properly bond to pipe penetration. Best to use Aussie Skin Fabric Tape around pipe penetrations before applying Sealant.

AVM Industries, Inc.
 8245 Remmet Ave, Canoga Park, CA 91304

Quality Waterproofing Products

888.414.1041 818.888.0050
 www.avmindustries.com

DETAIL #:
 AUSSIE-MATE-7002

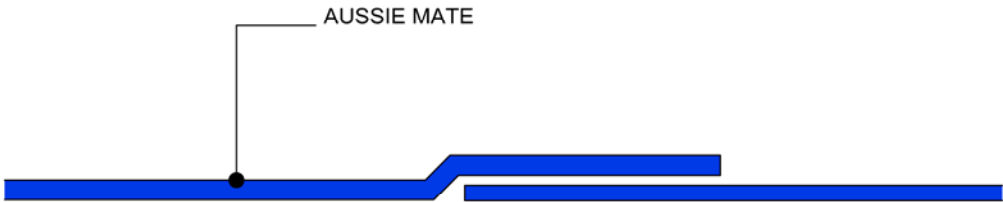
AVM SYSTEM 580/582/585

AUSSIE MATE®

Lapping Detail #2
 AVM AUSSIE MATE®
 Bituminous Sheet Waterproofing.



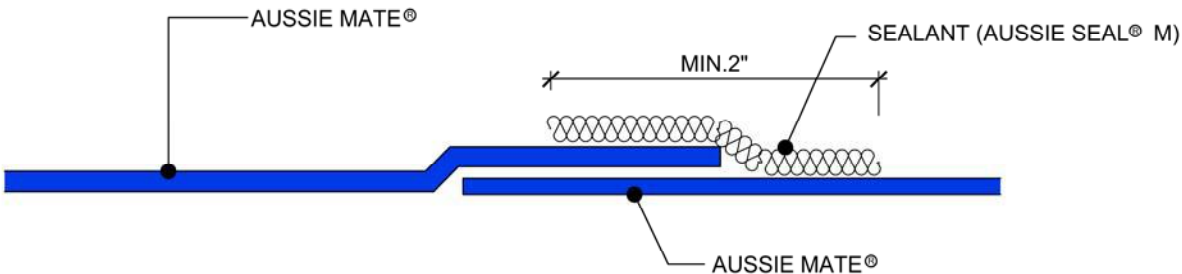
FACTORY LAP



Important Note: When installing the "Factory Lap", The Installation procedure should be as follows:

1. Before bonding the next layer of Aussie Mate to an existing layer, Remove both clear plastic films from the factory laps (Where the aluminum or Polyethylene protection layer ends)
2. If overlap will extend to the protection layer, wipe the protection layer surface clean. Use a light solvent if needed.
3. Install the next sheet of Aussie Mate with a minimum 2.5" overlap.
4. Roll the steel roller over the lap several times while applying pressure to ensure proper adhesion.
5. In cold weather, gently using heat gun will improve adhesion

NON-FACTORY LAP



Important Note: When installing the "Non-Factory Lap", The Installation procedure should be as follows:

1. Before bonding the next layer of Aussie Mate to an existing layer, Wipe clean a min 5" wide swath of the protection layer's edge. Use a light solvent if needed.
2. Install the next sheet of Aussie Mate with a minimum 2.5" overlap.
3. Roll the steel roller over the double-sided tape several times while applying pressure to ensure proper adhesion.
4. Roll the steel roller over the lap several times while applying pressure to ensure proper adhesion.
5. In cold weather, gently using heat gun will improve adhesion.
6. Apply Sealant (Aussie Seal M) over the seam. Min 2" wide sealant bead. (Min 1" wide sealant bead over each sheet)

NOTES:

1. Aussie Mate® Membranes are heavy duty bituminous waterproofing sheet membranes for Below-Grade waterproofing applications. Aussie Mate® 580-AL and 582-AL are UV stable, 60-mil membranes with an aluminum protection layer. Aussie Mate® 585-CW is a cold weather membrane that can be installed at temperatures as low as 25°F (-4°C).
2. Only AVM approved liquid adhesives or primers may be used (water-based and solvent-based adhesives/primers are available).