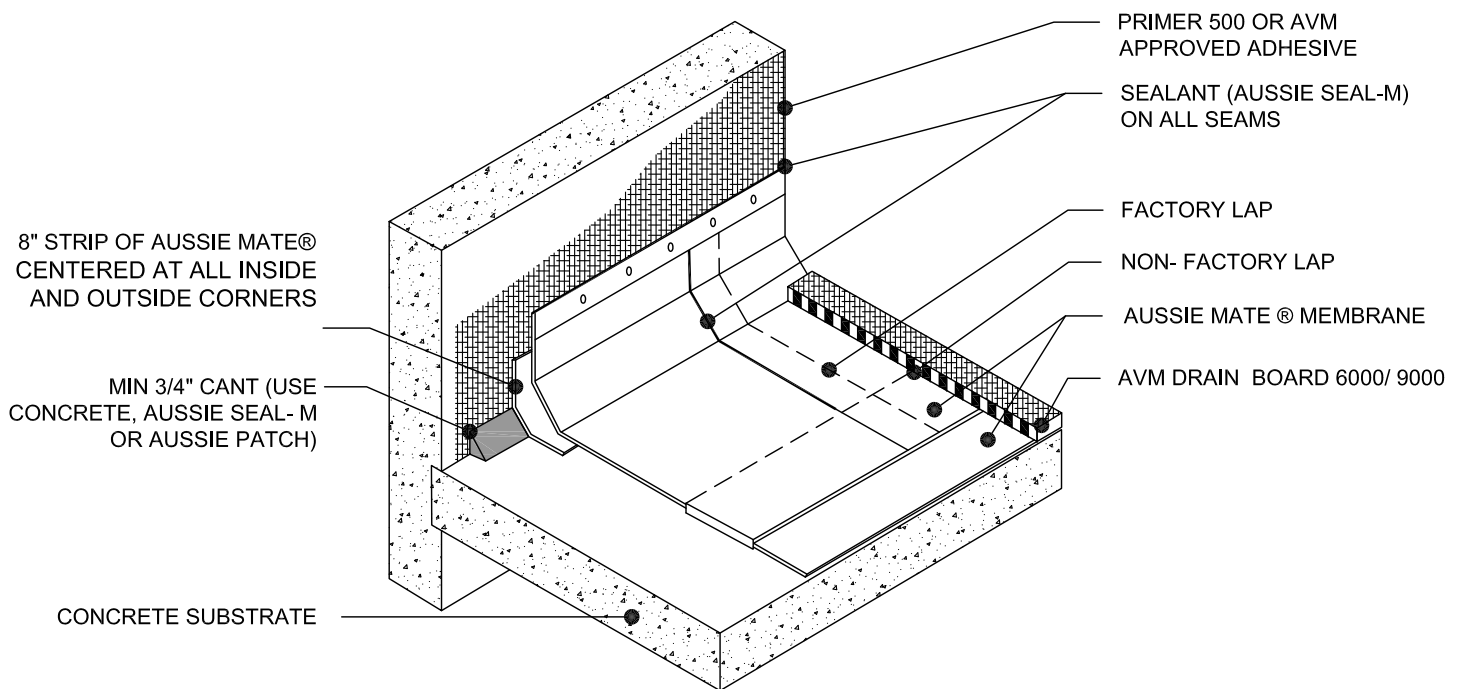


DETAIL #:  
AUSSIE-MATE-3001  
AVM SYSTEM 580/582/585  
AUSSIE MATE®

Horizontal Slab Wall Termination  
AVM AUSSIE MATE®  
Bituminous Sheet Waterproofing



**NOTES:**

1. Aussie Mate® Membranes are heavy duty bituminous waterproofing sheet membranes for Below-Grade waterproofing applications. Aussie Mate® 580-AL and 582-AL are UV stable, 60-mil membranes with an aluminum protection layer. Aussie Mate® 585-CW is a cold weather membrane that can be installed at temperatures as low as 25°F (-4°C).
2. For appropriate drainage/protection, use AVM Drain Board 6000.
3. Contact AVM if no drain board or protection board is specified.
4. Only AVM approved liquid adhesives or primers may be used. (water-based and solvent-based adhesives/primers are available)
5. All Aussie Mate overlaps must be minimum 2.5".

AVM Industries, Inc.  
8245 Remmet Ave, Canoga Park, CA 91304

Quality Waterproofing Products

888.414.1041 818.888.0050  
www.avmindustries.com