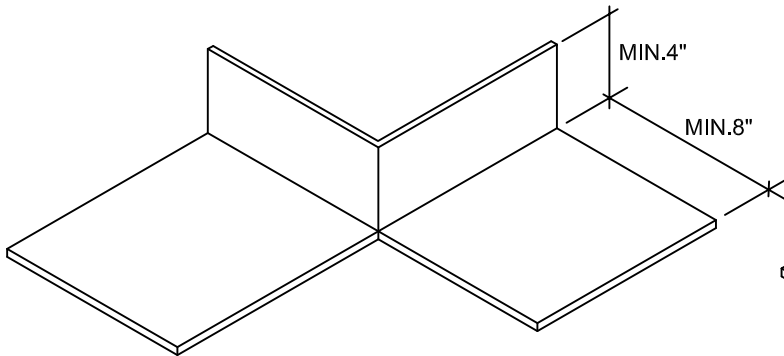


DETAIL #:  
**AVM-560-6260**  
 Aussie Skin 560

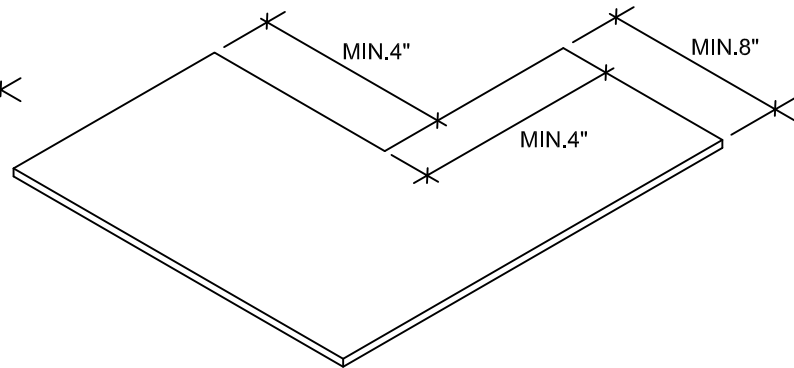
Outside Corner Detail at Bottom of Wall  
**Aussie Skin 560**  
 Waterproofing and Methane Barrier



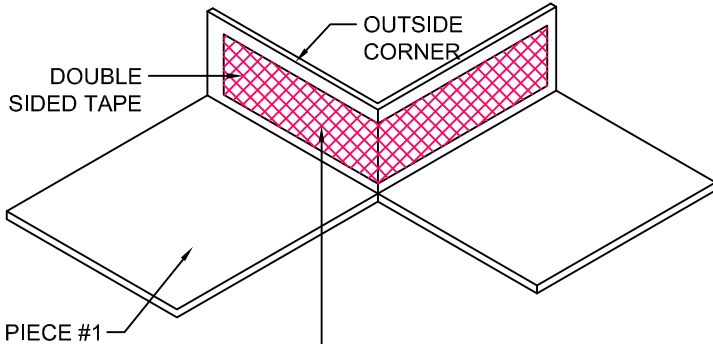
PIECE #1



PIECE #2

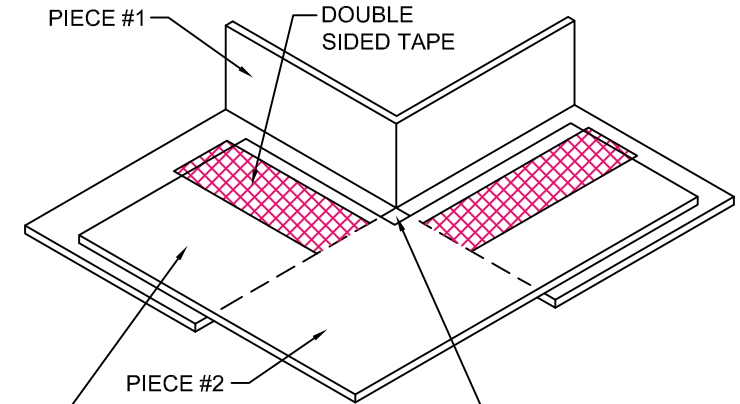


STEP 1



INSTALL AUSSIE SKIN PIECE #1 OVER DOUBLE SIDED TAPE

STEP 2



INSTALL AUSSIE SKIN PIECE #2 OVER DOUBLE SIDED TAPE

AUSSIE SEAL M MIN 2" IN EACH DIRECTION TO SEAL CORNER

NOTES:

1. Aussie Skin 560 is a Methane and Shotcrete Approved Heavy Duty, Easy to Install, Puncture Resistant Sheet Waterproofing Membrane with added technologies creating excellent adhesion between the membrane and wet Concrete or Shot-Crete.
2. Contact AVM if no drain board or protection board is specified.
3. All nails, screws etc used to hang the Aussie Skin above the water table must be non-rusting and sealed with AVM approved Sealant.