



Top Coat Sealer 4150

Deck Coating / Multi Purpose Sealer

Sections 071800 / 071813
Fluid Applied Waterproofing

Product Name

Top Coat Sealer 4150

Manufactured by

AVM Industries, Inc.
8245 Remmet Ave, Canoga Park, CA 91304
888.414.1041 818.888.0050
www.avmindustries.com

Product Description

AVM Top Coat Sealer 4150 is a heavy duty high performance, water based acrylic sealer, designed to promote deep penetration and provide long lasting protection to the coated surfaces. AVM Top Coat Sealer 4150 develops outstanding water repellence, has excellent stain, chemical and abrasion resistance properties, and yet, it allows the surface to breathe.

Advantages: AVM Top Coat Sealer 4150 prevents future deterioration due to exposure to moisture, freeze thaw and weather extremes. It has low VOCs, is environmentally friendly and harmless to the surrounding vegetation, glass, metal, etc. It is non toxic, non-flammable and has no odor when dry. It helps stop efflorescence and prevents moisture and water from leaching through.

Where to Use

AVM Top Coat Sealer 4150 is formulated for use on decks and porous materials such as concrete blocks, masonry blocks, bricks, sandstone, split face blocks, stucco, exterior wood and other common exterior surfaces.

Warranty

AVM standard 1 year warranty applies.

Delivery, Storage, and Handling

- Delivery of the AVM Top Coat Sealer 4150 must be in its original sealed containers, with manufacturer's name and label intact.
- Handle and store containers and bags in accordance with printed instructions.
- Store at temperatures between 50°F and 90°F. Do not store materials in direct sunlight or where they may be damaged by water or rain. Bags must be kept dry!
- Keep all materials out of the reach of children.
- If irritation occurs during use, liberally flush affected areas with water. If irritation continues, see a physician immediately.
- Shelf life is one year from manufacturing date in sealed, unopened containers.



Project Conditions

- Do not apply materials at temperatures below 50°F, or if precipitation is imminent, or above 90°F if applying in direct sun light.
- Provide adequate ventilation during installation.
- Warn personnel against hazards of materials to skin and eyes.
- Protect adjacent surfaces which could be damaged during the application.

System Application

Install the Top Coat Sealer 4150 in accordance with its Installation Instructions.

Preparation

The substrate surfaces must be structurally sound, clean, dry, free of efflorescence, dust, dirt, silicone, oil and other contaminants that would prevent the proper penetration and bonding of the AVM Top Coat Sealer 4150. Joints or cracks should be sealed or filled prior to the application of the AVM Top Coat Sealer 4150. Remove all existing coatings, paints, etc, prior to the application. For proper bonding, it is recommended to sandblast or water-blast cementitious surfaces (blocks, slabs, bricks, etc) scheduled to receive the AVM Top Coat Sealer 4150.

Installation

The AVM Top Coat Sealer 4150 can be applied using low pressure airless spray equipment using a fan type spray tip with orifice size from 0.018 to 0.035 inches. Hold spray tip approximately 12-18 inches from the surface. The AVM Top Coat Sealer 4150 can also be brushed or rolled on using a long nap roller cover. Do not over apply material. (Apply thin coats) If necessary, apply a second coat. Highly porous or difficult to paint substrates, such as split face or Routed blocks, raked joints, etc, may need a second coat to ensure complete and proper coverage and protection. A second application can be made anytime after the first coat has completely cured. For best results however, allow twenty four hours between coats.

Quality Control

- Visually inspect all coated surfaces to ensure a full and proper coating application, especially at corners, drainage scuppers and hard-to-reach areas.
- All unsatisfactory areas shall be repaired prior to final acceptance.

Protection of Installed Work

The completed section shall be protected from all pedestrian traffic for the first 24 hours after application and until the surface is sufficiently cured. (The amount of drying time may vary depending on temperature and humidity conditions) Typically, light foot traffic may resume after 4-6 hours.

Clean Up

Tools may be cleaned with water before resins are dry.

Maintenance

Periodic cleaning and maintenance is required. For further information, refer to the Top Coat Sealer 4150 maintenance instructions.

Limitations

The AVM Top Coat Sealer 4150 is not recommended for outdoor below grade applications or on walls where the dirt rests against them.(retaining walls, planters, etc) Neither is it recommended for interior use on below grade walls (waterproofing from the inside) on areas such as subterranean walls, parking structure walls, basement walls, or where water is penetrating or seeping through walls from the outside. In addition, it will not prevent water penetration through unsound or cracked surfaces.

Availability and Cost

Contact AVM Industries or your approved applicator for pricing and availability.

Technical Services

Technical services are available by contacting our offices at: **888.414.1041** or **818.888.0050** or visit **www.avmindustries.com**

System Specifications

See next page.

The following coverages are based on controlled tests. Actual coverages may vary.

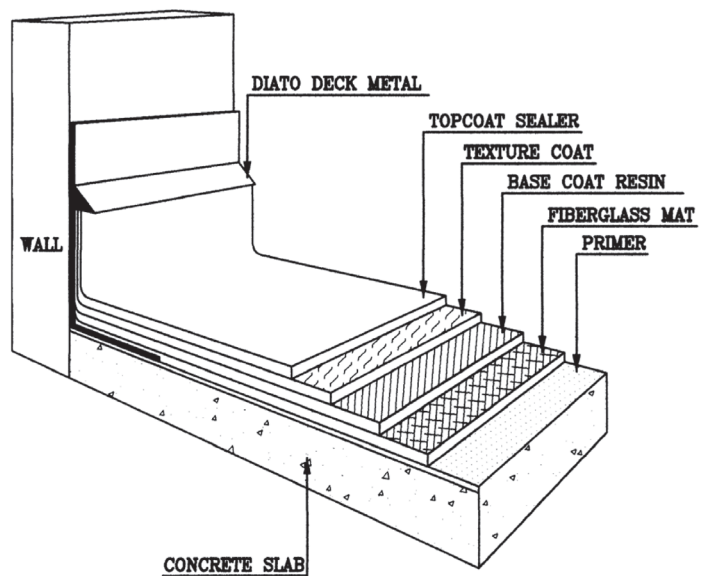
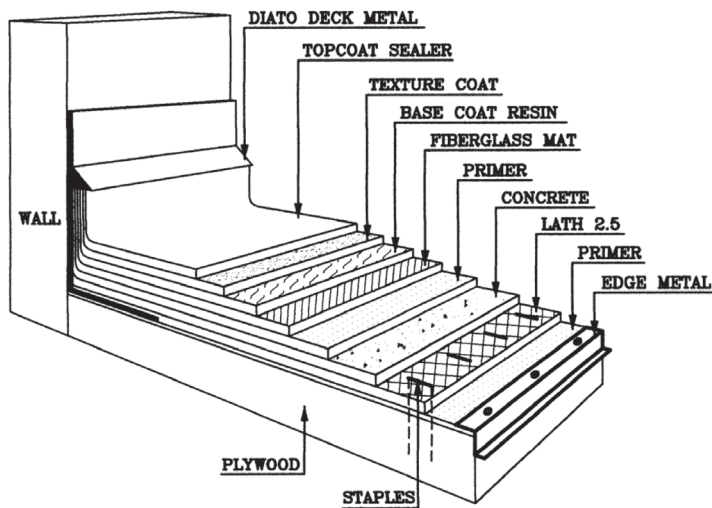
Materials	Over Deck Coatings	Over Semi-Smooth Concrete	Over Porous Surfaces
AVM Top Coat Sealer 1st coat	100-120 sq. ft./gal.	100-150 sq. ft./gal.	75-100 sq. ft./gal.
AVM Top Coat Sealer 2nd Coat	150 sq. ft./gal.	150+ sq. ft./gal.	100+ sq. ft./gal.

Technical Data - AVM Top Coat Sealer 4150	
Weatherometer	No Cracking, Softening, Cracking
Wind Uplift	(Tested/passed -227 MPH) Approved at 90 MPH
Abrasion	4.58% (Pass)
Bond Strength (Once Cured)	134 PSI

General Data - AVM Top Coat Sealer 4150	
Shelf Life: (Liquids)	One year in original unopened packaging.
Storage Conditions	Store dry at 50°-90°F. If frozen, discard
Top Coat Colors	30 Standard colors
Top Coat Colors	Custom colors are available - call for details

Item / Component	Packaging	Approx Shipping Weights	VOC
Top Coat Sealer 4150	2.0/5.0 gal. pails	19.0/47.0 lbs	99 Grams/Liter

Note: Top Coat Sealer 4150 is part of the ICC approved AVM System 100, Elasto Fiberdeck deck coating system. Additional information is available on AVM Spec Sheet 30100-EFD.



For a complete list of details in CAD or PDF, please visit our website at www.avmindustries.com.

AVM Industries, Inc.
8245 Remmet Ave, Canoga Park, CA 91304
888.414.1041 818.888.0050

Quality Waterproofing Products



www.avmindustries.com