

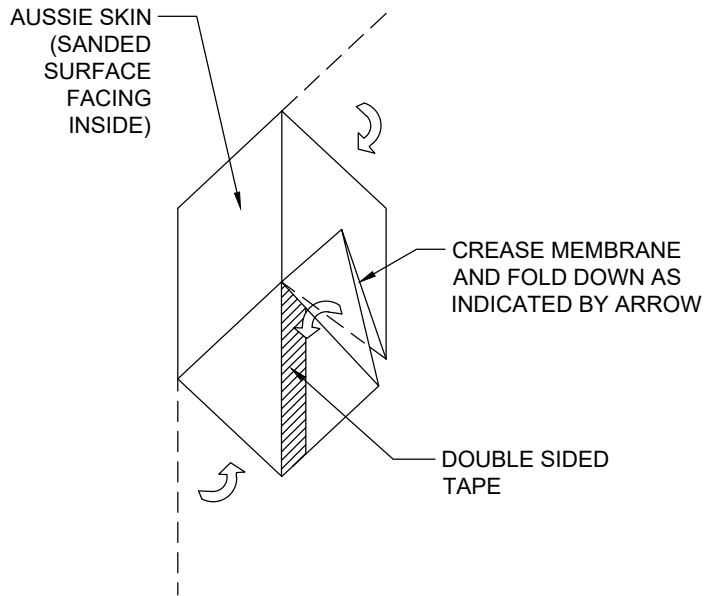
DETAIL #:  
**AVM-550G 560G-6200**  
AVM System 550G/560G

## Inside Corner Detail



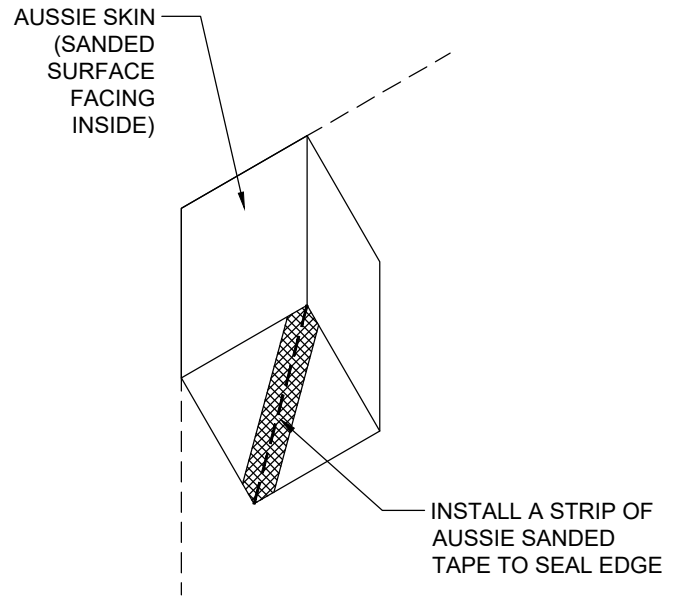
1

SANDED SURFACE FACING INSIDE



2

SANDED SURFACE FACING INSIDE



### Notes:

1. Aussie Skin 550G and 560G are Heavy Duty, Easy to Install, Puncture Resistant Sheet Waterproofing Membranes with added technologies creating excellent adhesion between the membrane and wet Concrete or Shotcrete. Aussie Skin 560G is an approved methane/VOC barrier.