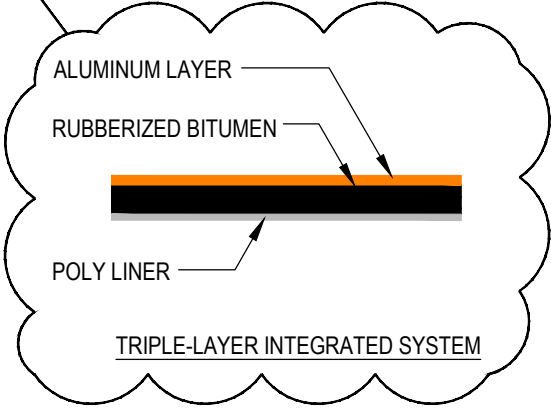
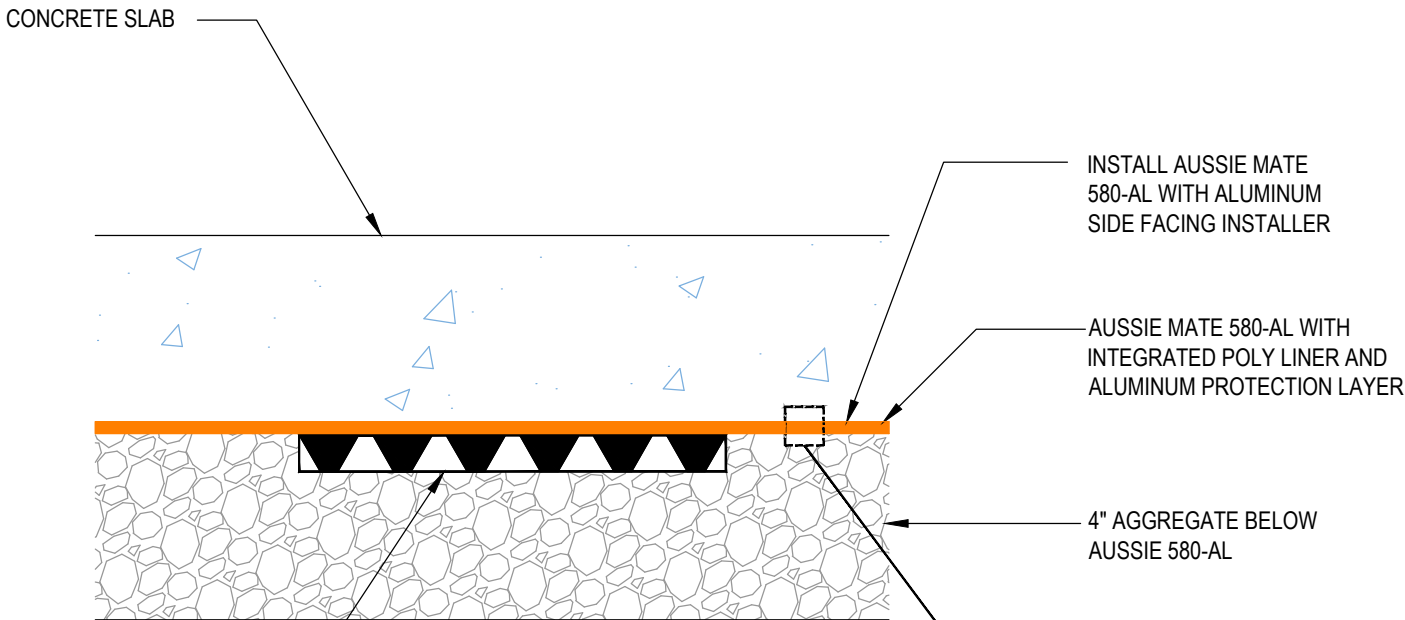


DETAIL #:  
0580-AL-4020-M  
System:  
Aussie Mate 580-AL Methane

# Sub-Slab Vent System



AVM AUSSIE MATE 580-AL  
METHANE / VOC BARRIER ONLY



- Notes:**
- 1. Aussie Mate 580-AL is an LARR approved Waterproofing membrane and Methane Barrier.
  - 2. Aussie Mate 580-AL is a UV stable, heavy duty bituminous sheet membrane with aluminum protection layer for Below-Grade waterproofing applications and is available in a 60 mil or 80 mil thickness . Aussie Mate 580-AL may also be used as a methane and/or vapor barrier under horizontal slabs on grade.
  - 3. All Aussie Mate overlaps must be minimum 2-1/2" - See "Lapping Details" for more information
  - 4. When installed under slab do not remove integrated poly liner (release liner).
  - 5. Shown without protection. Consult with Methane Engineer for membrane protection requirements.