

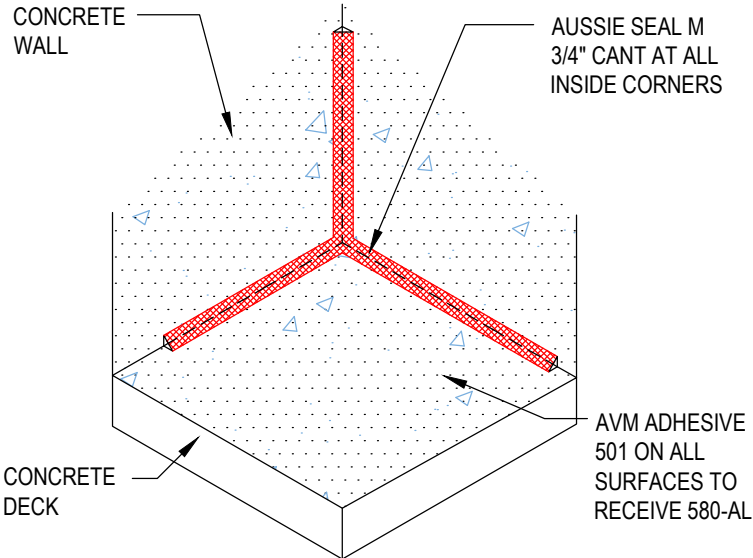
DETAIL #:
0580-AL-7008
 System:
Aussie Mate 580-AL

Inside Corner

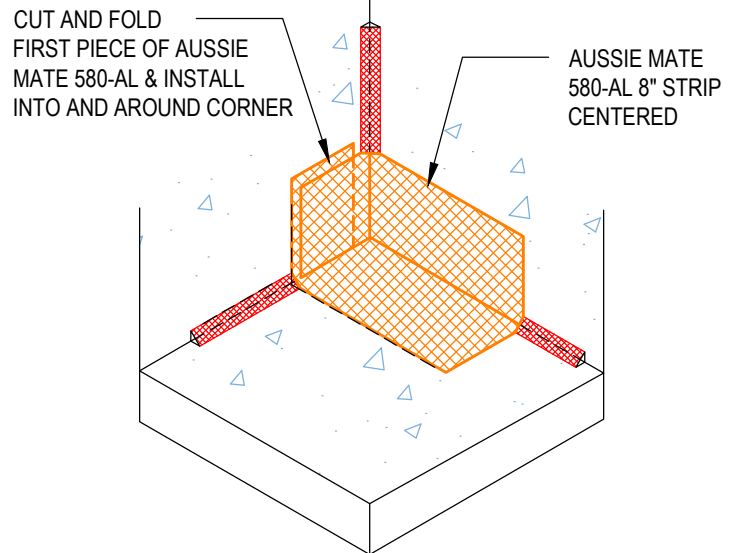


AVM AUSSIE MATE 580-AL

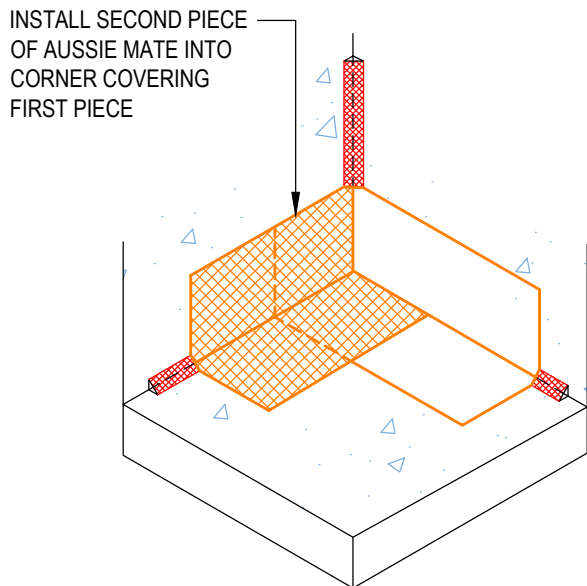
STEP 1



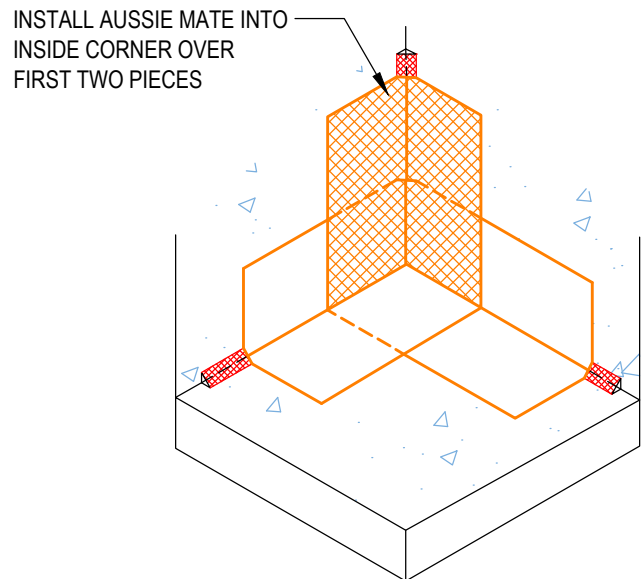
STEP 2



STEP 3



STEP 4



Notes:

1. Aussie Mate 580-AL is an LARR approved Waterproofing membrane and Methane Barrier.
2. Aussie Mate 580-AL is a UV stable, heavy duty bituminous sheet membrane with aluminum protection layer for Below-Grade waterproofing applications and is available in a 60 mil or 80 mil thickness . Aussie Mate 580-AL may also be used as a methane and/or vapor barrier under horizontal slabs on grade.
3. All Aussie Mate overlaps must be minimum 2-1/2" - See "Lapping Details" for more information