

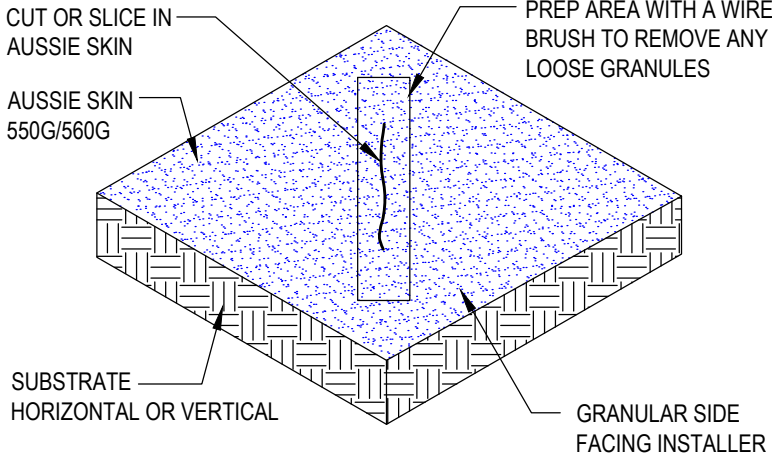
DETAIL #:
 0550G/0560G - 8004
 System:
 Aussie Skin 550G/560G

Repair Procedure for Cuts, Slices, and Small Punctures

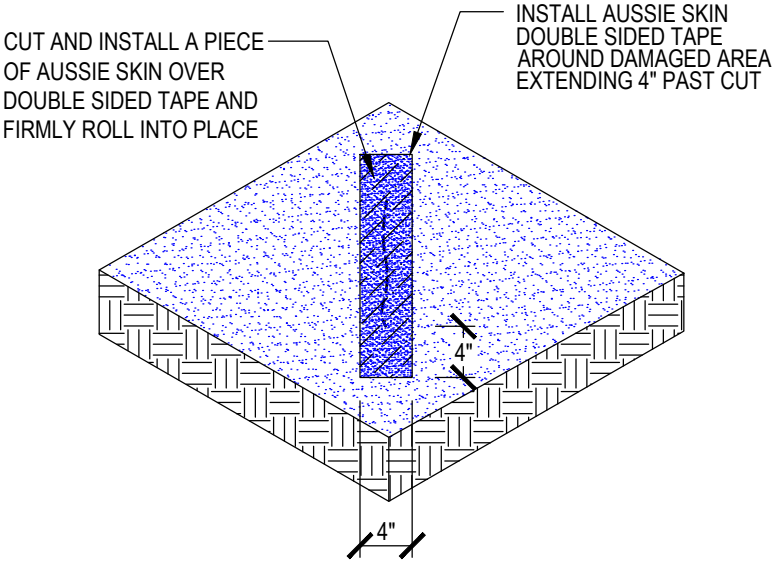
Aussie Skin 550G/560G



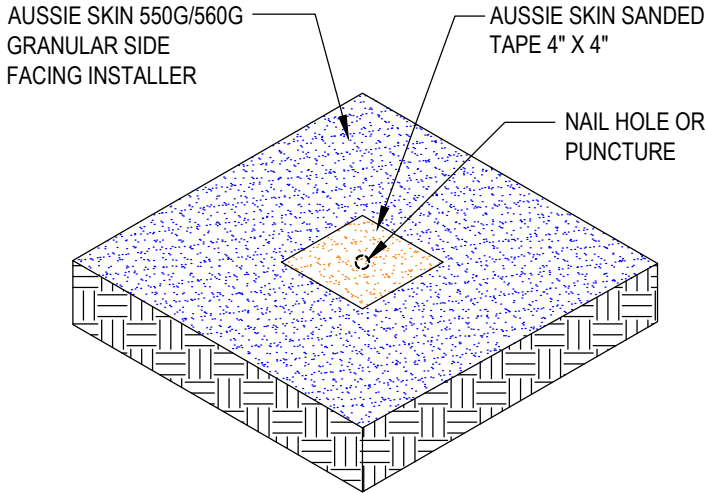
CUTS & SLICES - STEP 1



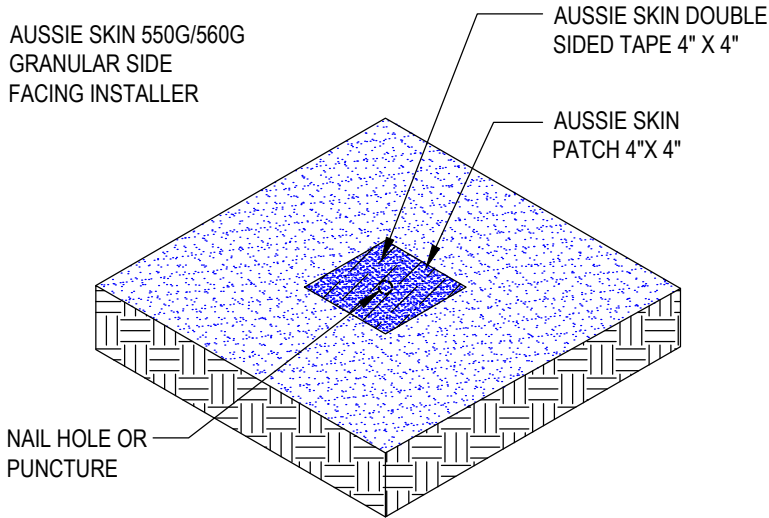
CUTS & SLICES - STEP 2



PUNCTURES - NON-WATER TABLE



PUNCTURES - WATER TABLE OR UNDER-SLAB



Notes:

1. Aussie Skin 550G and 560G are Heavy Duty, Easy to Install, Puncture Resistant Sheet Waterproofing Membranes with added technologies creating excellent adhesion between the membrane and wet Concrete or Shotcrete. Aussie Skin 560G is an approved methane/VOC barrier.