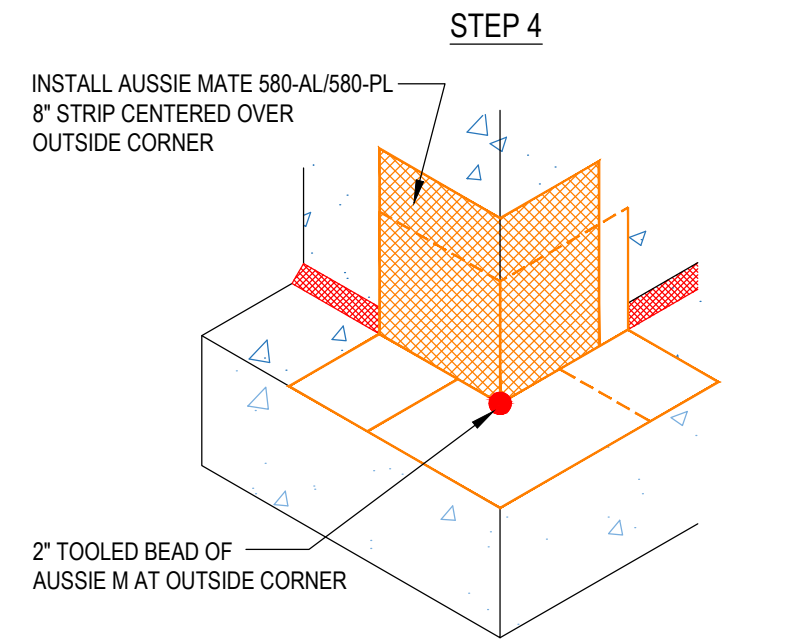
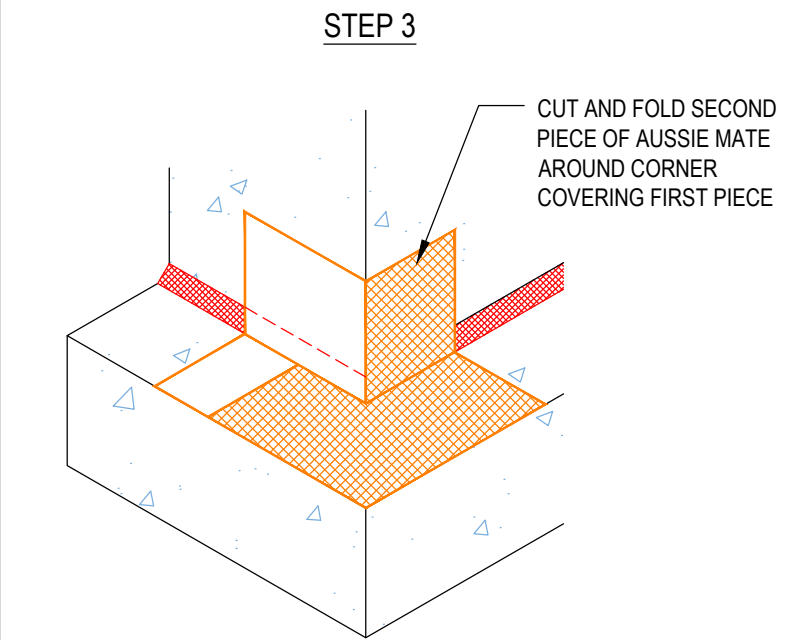
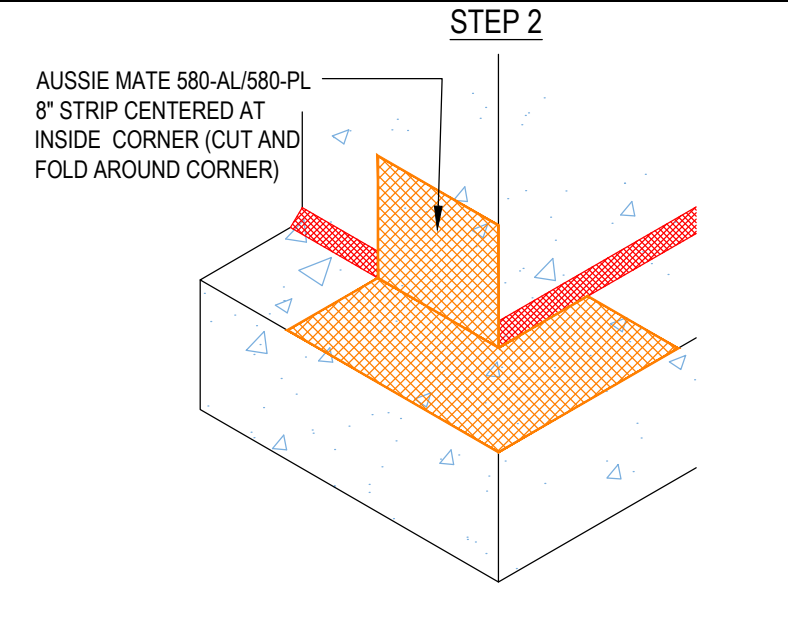
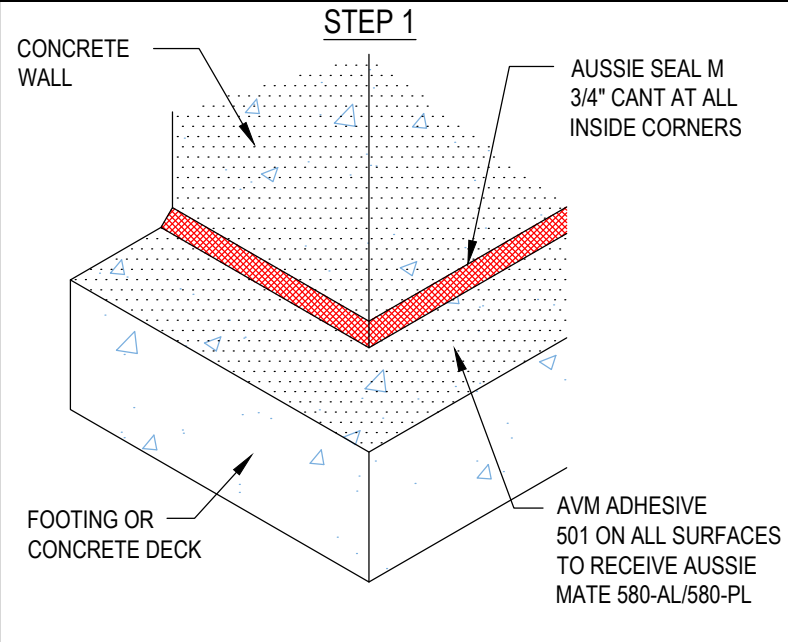


DETAIL #:
 0580-AL_580-PL-7006
 System:
 Aussie Mate 580-AL/580-PL

Outside Corner



AVM AUSSIE MATE 580-AL/580-PL



Notes:

1. Aussie Mate 580-AL is an LARR approved Waterproofing membrane and Methane Barrier.
2. Aussie Mate 580-AL is a heavy duty bituminous sheet membrane with aluminum protection layer for Below-Grade waterproofing applications that is available in a 60-mil or 80-mil thickness. Aussie Mate 580-AL may also be used as a methane and/or vapor barrier under horizontal slabs on grade.
3. Aussie Mate 580-PL is a 60-mil heavy duty bituminous sheet waterproofing membrane with a poly liner for below-grade waterproofing applications. Aussie Mate 580-PL cannot be used as a methane/vapor barrier in slab on grade applications.
4. **UV Exposure Limits:** Aussie Mate 580-AL - Up to 180 days. Aussie Mate 580-PL - Up to 30 days
5. See "Aussie Mate 580 Installation Instructions" for system requirements.