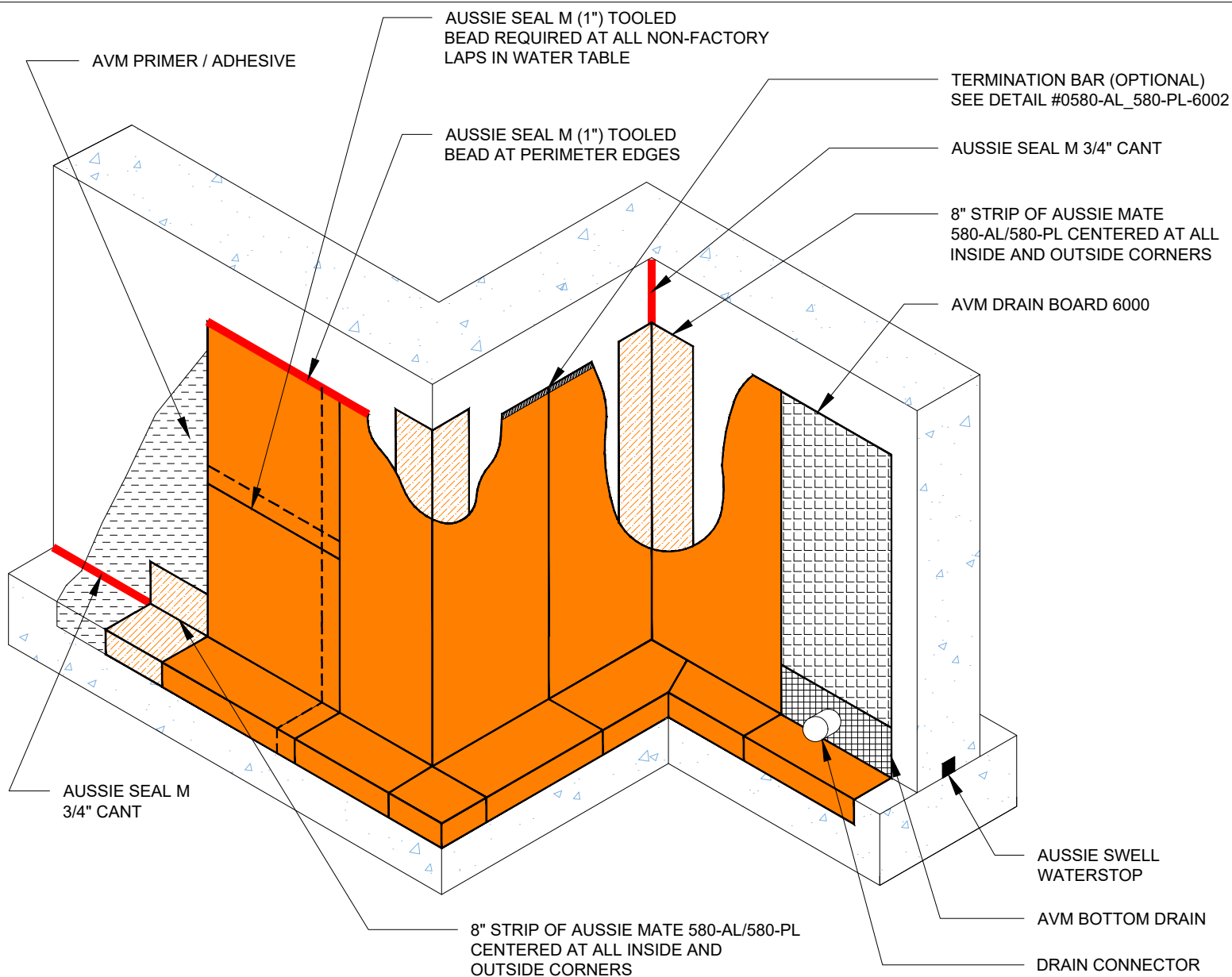


DETAIL #:
0580-AL_580-PL-0001
System
Aussie Mate 580-AL/580-PL

Backfilled Walls Overview



AVM AUSSIE MATE 580-AL/580-PL



Notes:

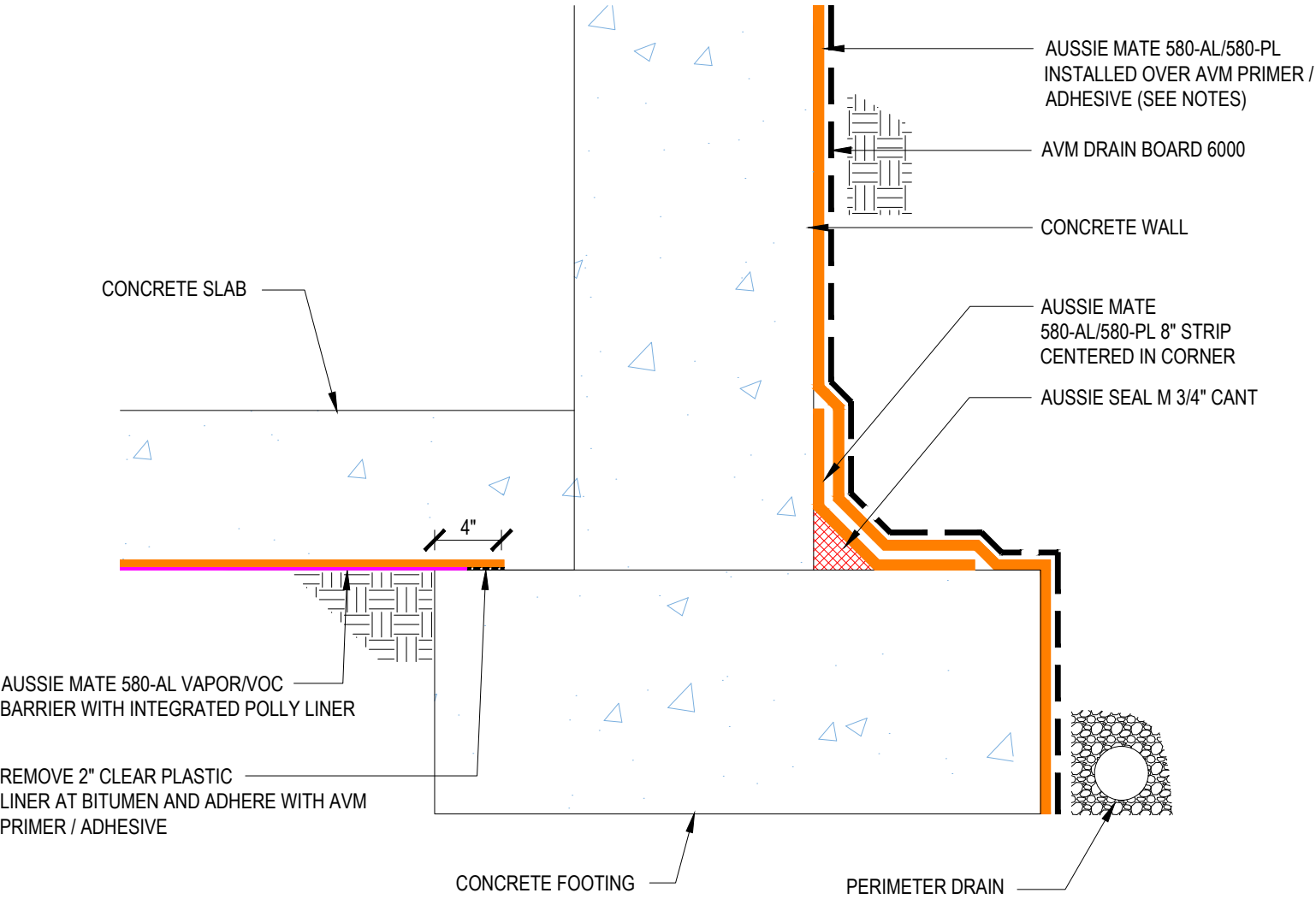
1. Aussie Mate 580-AL is an LARR approved Waterproofing membrane and Methane Barrier.
2. Aussie Mate 580-AL is a heavy duty bituminous sheet membrane with aluminum protection layer for Below-Grade waterproofing applications that is available in a 60-mil or 80-mil thickness. Aussie Mate 580-AL may also be used as a methane and/or vapor barrier under horizontal slabs on grade.
3. Aussie Mate 580-PL is a 60-mil heavy duty bituminous sheet waterproofing membrane with a poly liner for below-grade waterproofing applications. Aussie Mate 580-PL cannot be used as a methane/vapor barrier in slab on grade applications.
4. **UV Exposure Limits:** Aussie Mate 580-AL - Up to 180 days. Aussie Mate 580-PL - Up to 30 days
5. See "Aussie Mate 580 Installation Instructions" for system requirements.

DETAIL #:
 0580-AL_580-PL-0002
 System:
 Aussie Mate 580-AL/580-PL

Backfilled Wall with Vapor Barrier Under Slab



AVM AUSSIE MATE 580-AL/580-PL



Notes:

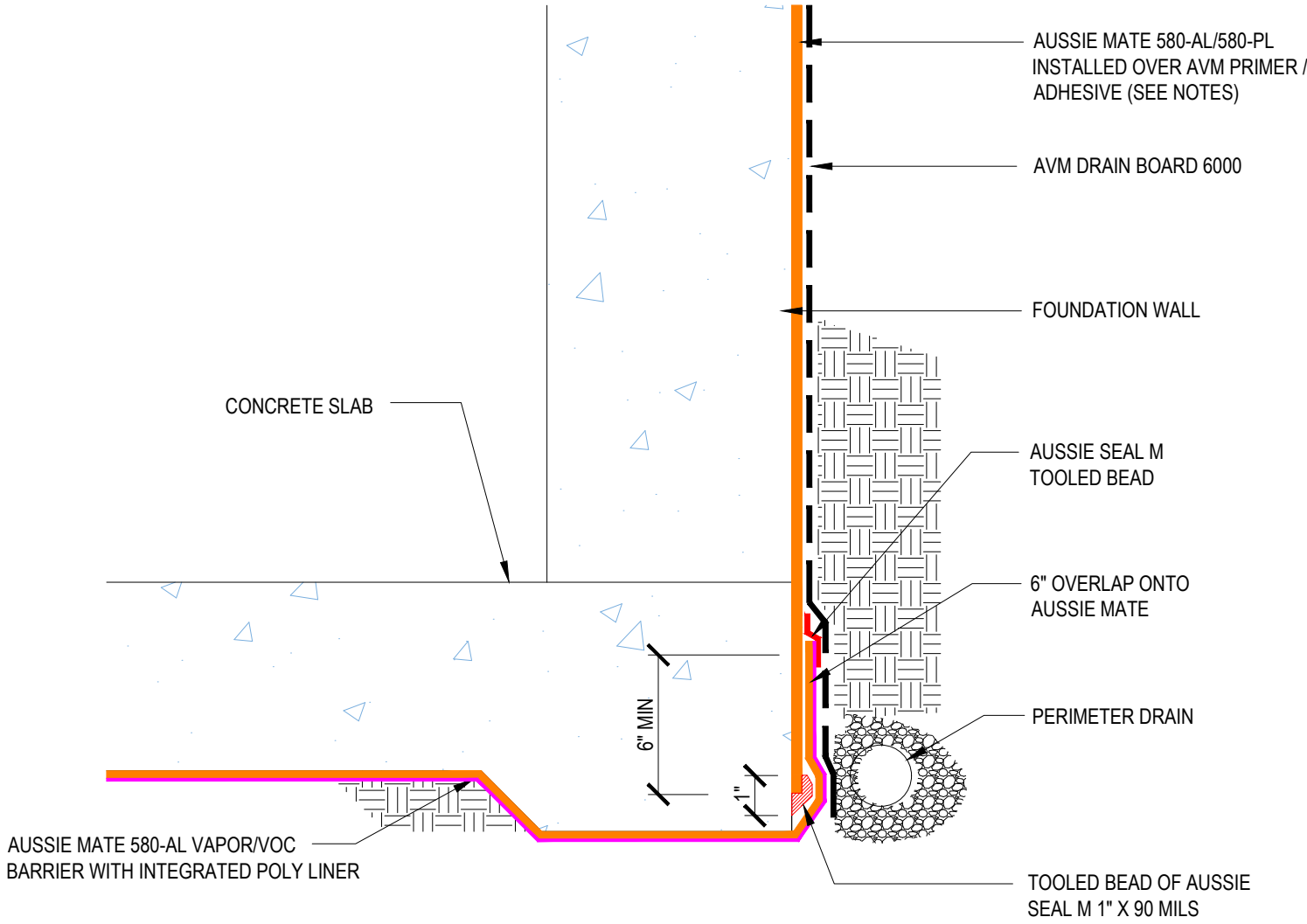
1. Aussie Mate 580-AL is an LARR approved Waterproofing membrane and Methane Barrier.
2. Aussie Mate 580-AL is a heavy duty bituminous sheet membrane with aluminum protection layer for Below-Grade waterproofing applications that is available in a 60-mil or 80-mil thickness. Aussie Mate 580-AL may also be used as a methane and/or vapor barrier under horizontal slabs on grade.
3. Aussie Mate 580-PL is a 60-mil heavy duty bituminous sheet waterproofing membrane with a poly liner for below-grade waterproofing applications. Aussie Mate 580-PL cannot be used as a methane/vapor barrier in slab on grade applications.
4. **UV Exposure Limits:** Aussie Mate 580-AL - Up to 180 days. Aussie Mate 580-PL - Up to 30 days
5. See "Aussie Mate 580 Installation Instructions" for system requirements.

DETAIL #:
 0580-AL_580-PL-0004
 System:
 Aussie Mate 580-AL/580-PL

Transition to Vapor Barrier Flush Footing



AVM AUSSIE MATE 580-AL/580-PL



Notes:

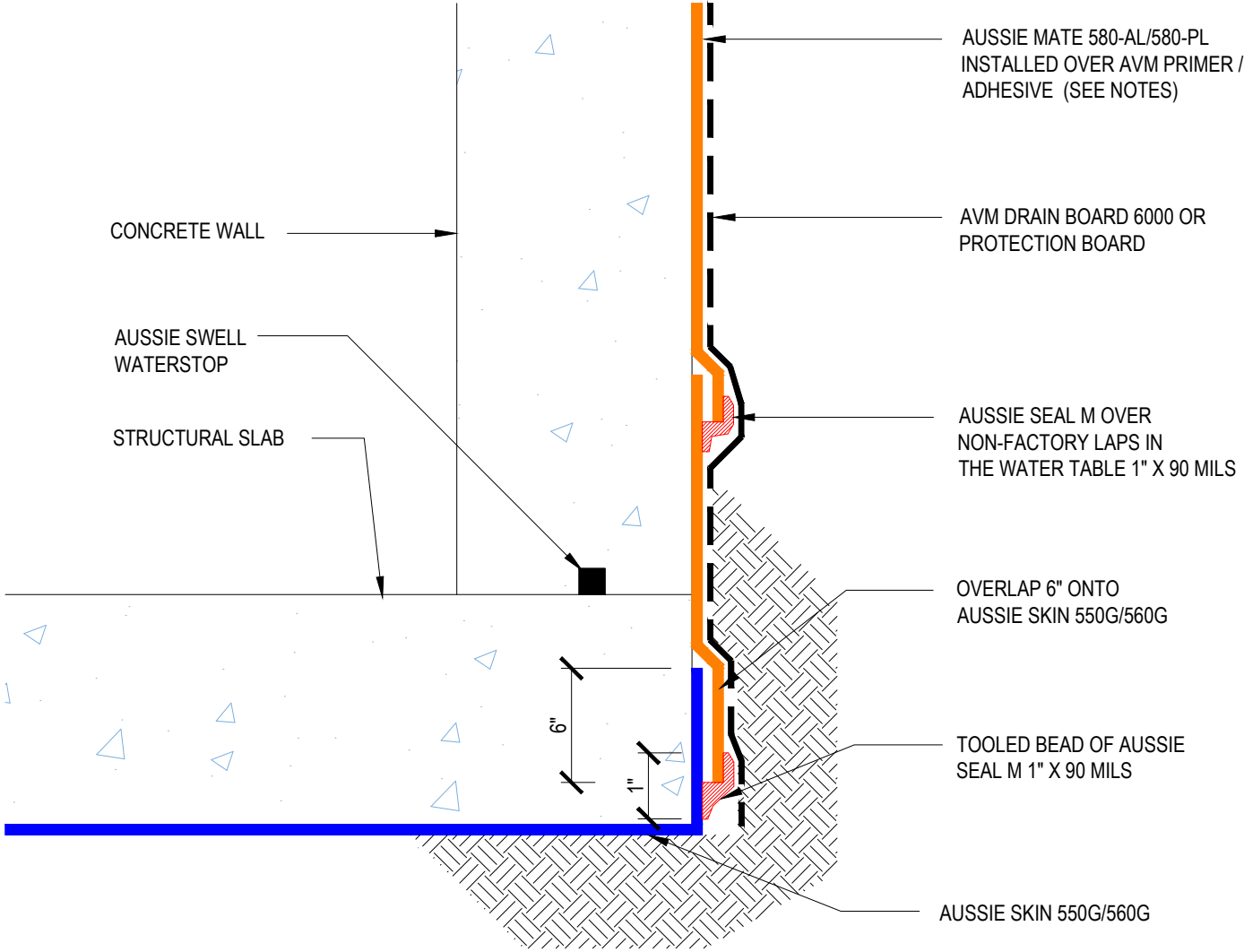
1. Aussie Mate 580-AL is an LARR approved Waterproofing membrane and Methane Barrier.
2. Aussie Mate 580-AL is a heavy duty bituminous sheet membrane with aluminum protection layer for Below-Grade waterproofing applications that is available in a 60-mil or 80-mil thickness. Aussie Mate 580-AL may also be used as a methane and/or vapor barrier under horizontal slabs on grade.
3. Aussie Mate 580-PL is a 60-mil heavy duty bituminous sheet waterproofing membrane with a poly liner for below-grade waterproofing applications. Aussie Mate 580-PL cannot be used as a methane/vapor barrier in slab on grade applications.
4. **UV Exposure Limits:** Aussie Mate 580-AL - Up to 180 days. Aussie Mate 580-PL - Up to 30 days
5. See "Aussie Mate 580 Installation Instructions" for system requirements.

DETAIL #:
 0580-AL_580-PL-0006
 System:
 Aussie Mate 580-AL/580-PL

Transition to Aussie Skin Flush Footing



AVM AUSSIE MATE 580-AL/580-PL



Notes:

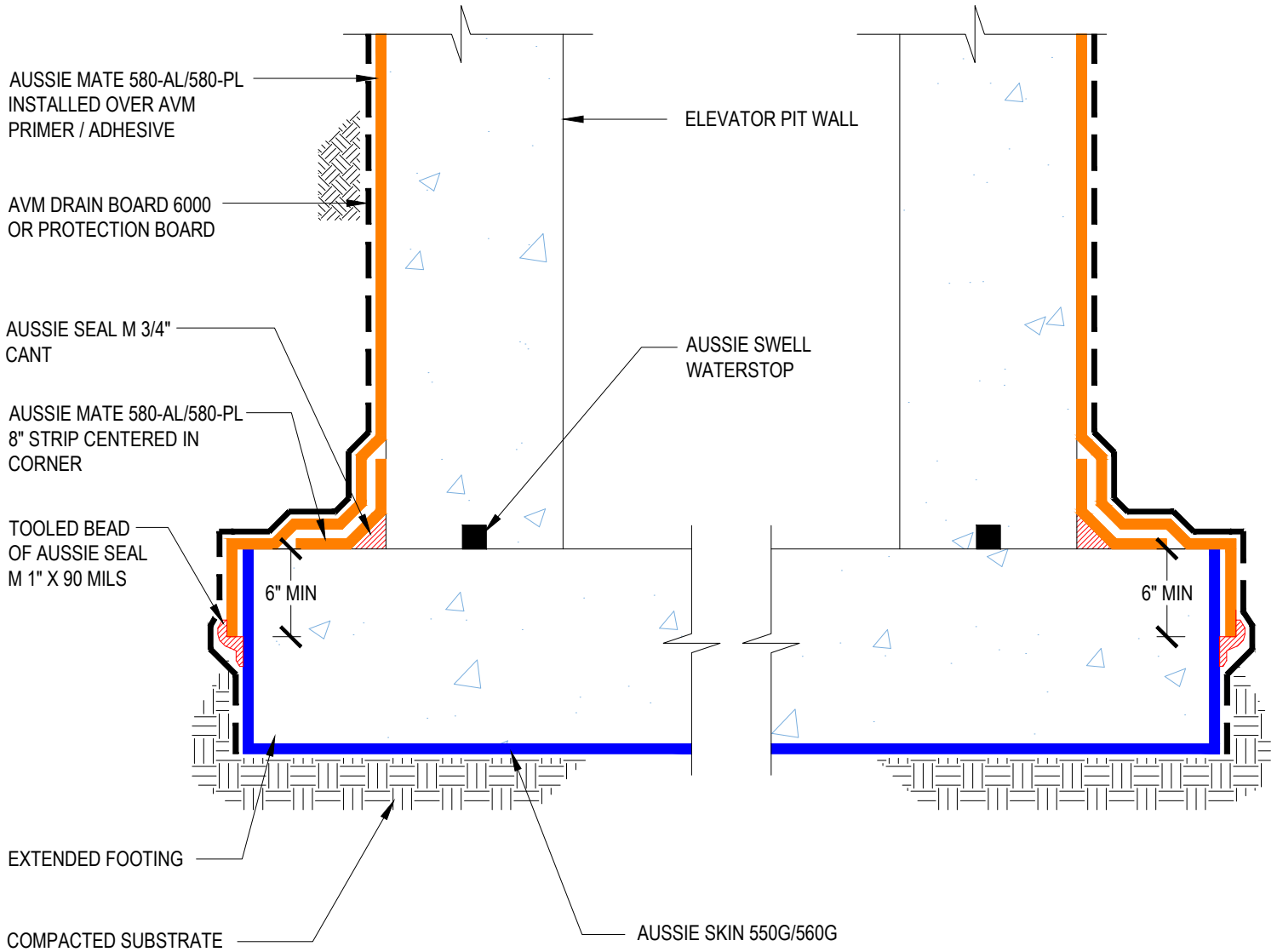
1. Aussie Mate 580-AL is an LARR approved Waterproofing membrane and Methane Barrier.
2. Aussie Mate 580-AL is a heavy duty bituminous sheet membrane with aluminum protection layer for Below-Grade waterproofing applications that is available in a 60-mil or 80-mil thickness. Aussie Mate 580-AL may also be used as a methane and/or vapor barrier under horizontal slabs on grade.
3. Aussie Mate 580-PL is a 60-mil heavy duty bituminous sheet waterproofing membrane with a poly liner for below-grade waterproofing applications. Aussie Mate 580-PL cannot be used as a methane/vapor barrier in slab on grade applications.
4. **UV Exposure Limits:** Aussie Mate 580-AL - Up to 180 days. Aussie Mate 580-PL - Up to 30 days
5. See "Aussie Mate 580 Installation Instructions" for system requirements.

DETAIL #:
 0580-AL_580-PL-0102
 System:
 Aussie Mate 580-AL/580-PL

Elevator Pit Transition to Aussie Skin 550G/560G Extended Footing



AVM AUSSIE MATE 580-AL/580-PL



Notes:

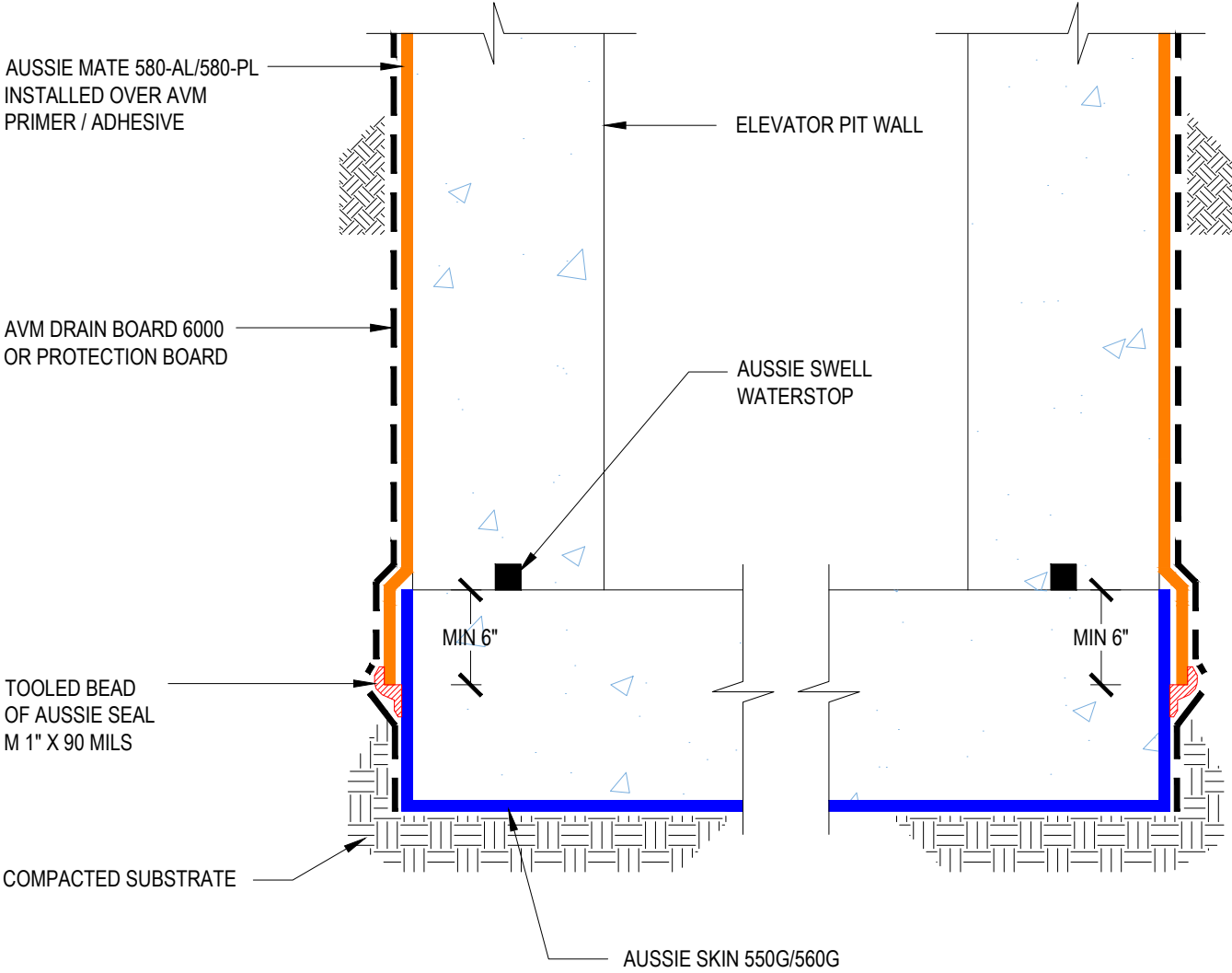
1. Aussie Mate 580-AL is an LARR approved Waterproofing membrane and Methane Barrier.
2. Aussie Mate 580-AL is a heavy duty bituminous sheet membrane with aluminum protection layer for Below-Grade waterproofing applications that is available in a 60-mil or 80-mil thickness. Aussie Mate 580-AL may also be used as a methane and/or vapor barrier under horizontal slabs on grade.
3. Aussie Mate 580-PL is a 60-mil heavy duty bituminous sheet waterproofing membrane with a poly liner for below-grade waterproofing applications. Aussie Mate 580-PL cannot be used as a methane/vapor barrier in slab on grade applications.
4. **UV Exposure Limits:** Aussie Mate 580-AL - Up to 180 days. Aussie Mate 580-PL - Up to 30 days
5. See "Aussie Mate 580 Installation Instructions" for system requirements.

DETAIL #:
 0580-AL_580-PL-0104
 System:
 Aussie Mate 580-AL/580-PL

Elevator Pit Transition to Aussie Skin 550G/560G Flush Footing



AVM AUSSIE MATE 580-AL/580-PL



Notes:

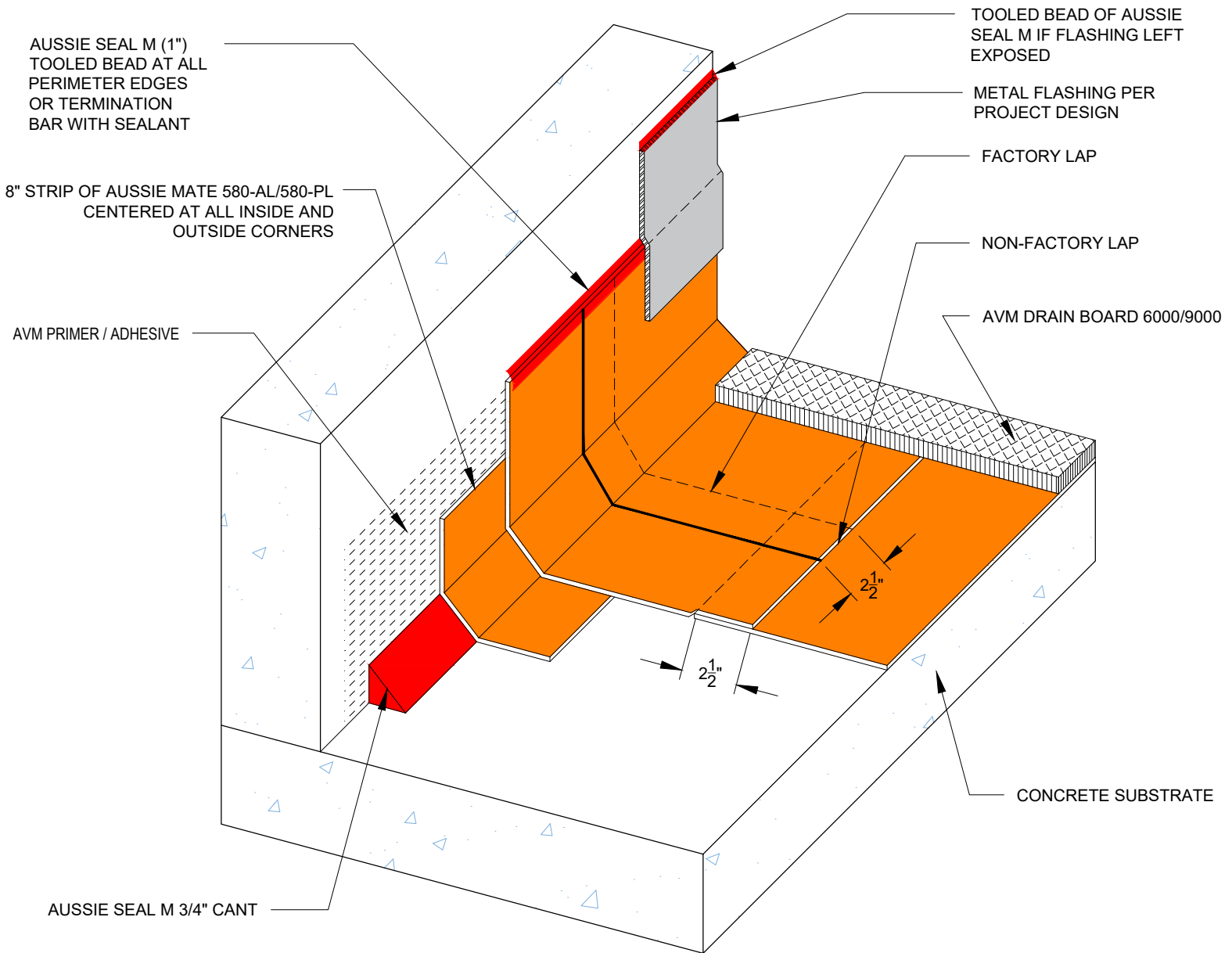
1. Aussie Mate 580-AL is an LARR approved Waterproofing membrane and Methane Barrier.
2. Aussie Mate 580-AL is a heavy duty bituminous sheet membrane with aluminum protection layer for Below-Grade waterproofing applications that is available in a 60-mil or 80-mil thickness. Aussie Mate 580-AL may also be used as a methane and/or vapor barrier under horizontal slabs on grade.
3. Aussie Mate 580-PL is a 60-mil heavy duty bituminous sheet waterproofing membrane with a poly liner for below-grade waterproofing applications. Aussie Mate 580-PL cannot be used as a methane/vapor barrier in slab on grade applications.
4. **UV Exposure Limits:** Aussie Mate 580-AL - Up to 180 days. Aussie Mate 580-PL - Up to 30 days
5. See "Aussie Mate 580 Installation Instructions" for system requirements.

DETAIL #:
0580-AL_580-PL-1102
 AVM System 580
Aussie Mate 580-AL/580-PL

Deck to Wall Transition



AVM AUSSIE MATE 580-AL/580-PL



Notes:

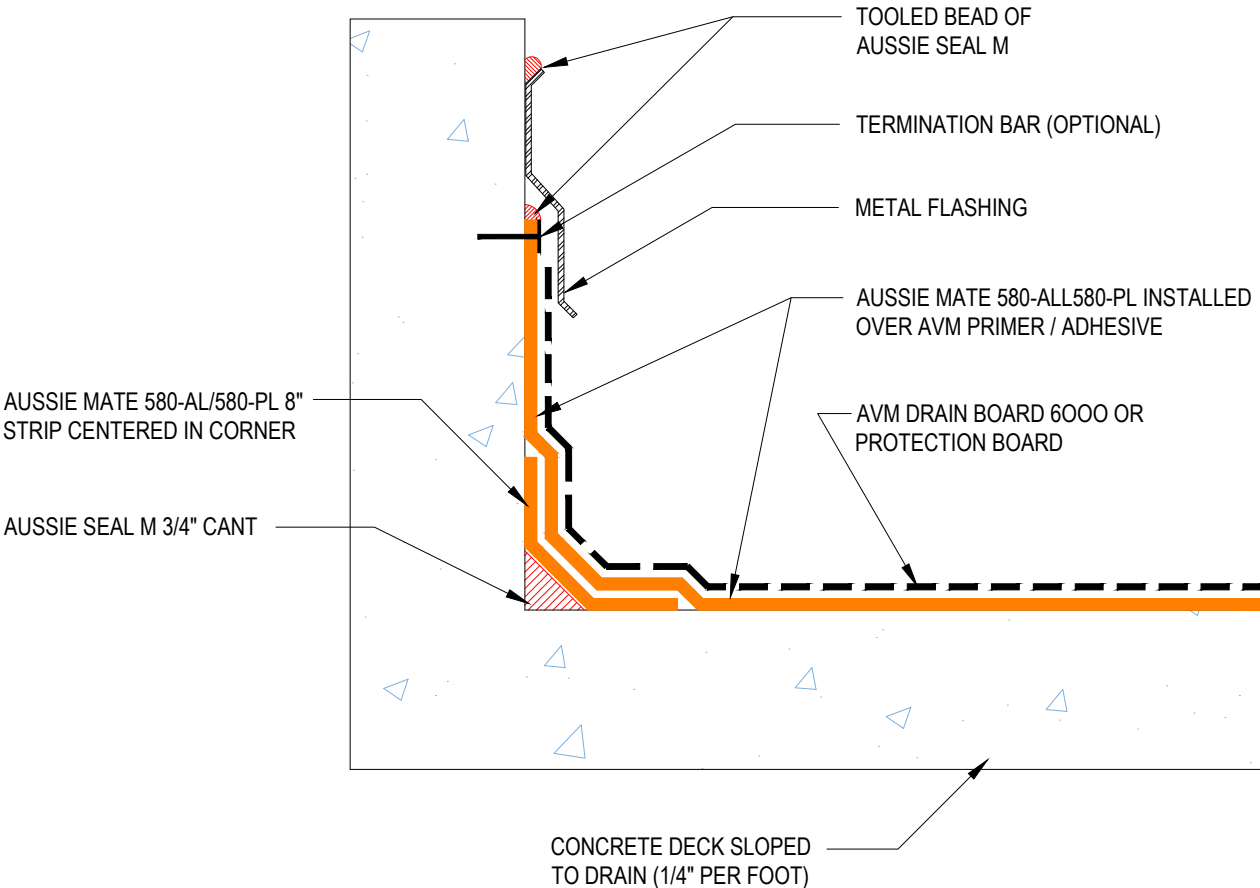
1. Aussie Mate 580-AL is an LARR approved Waterproofing membrane and Methane Barrier.
2. Aussie Mate 580-AL is a heavy duty bituminous sheet membrane with aluminum protection layer for Below-Grade waterproofing applications that is available in a 60-mil or 80-mil thickness. Aussie Mate 580-AL may also be used as a methane and/or vapor barrier under horizontal slabs on grade.
3. Aussie Mate 580-PL is a 60-mil heavy duty bituminous sheet waterproofing membrane with a poly liner for below-grade waterproofing applications. Aussie Mate 580-PL cannot be used as a methane/vapor barrier in slab on grade applications.
4. **UV Exposure Limits:** Aussie Mate 580-AL - Up to 180 days. Aussie Mate 580-PL - Up to 30 days
5. See "Aussie Mate 580 Installation Instructions" for system requirements.

DETAIL #:
 0580-AL_580-PL-1104
 System:
 Aussie Mate 580-AL/580-PL

Deck to Wall Transition



AVM AUSSIE MATE 580-AL/580-PL



Notes:

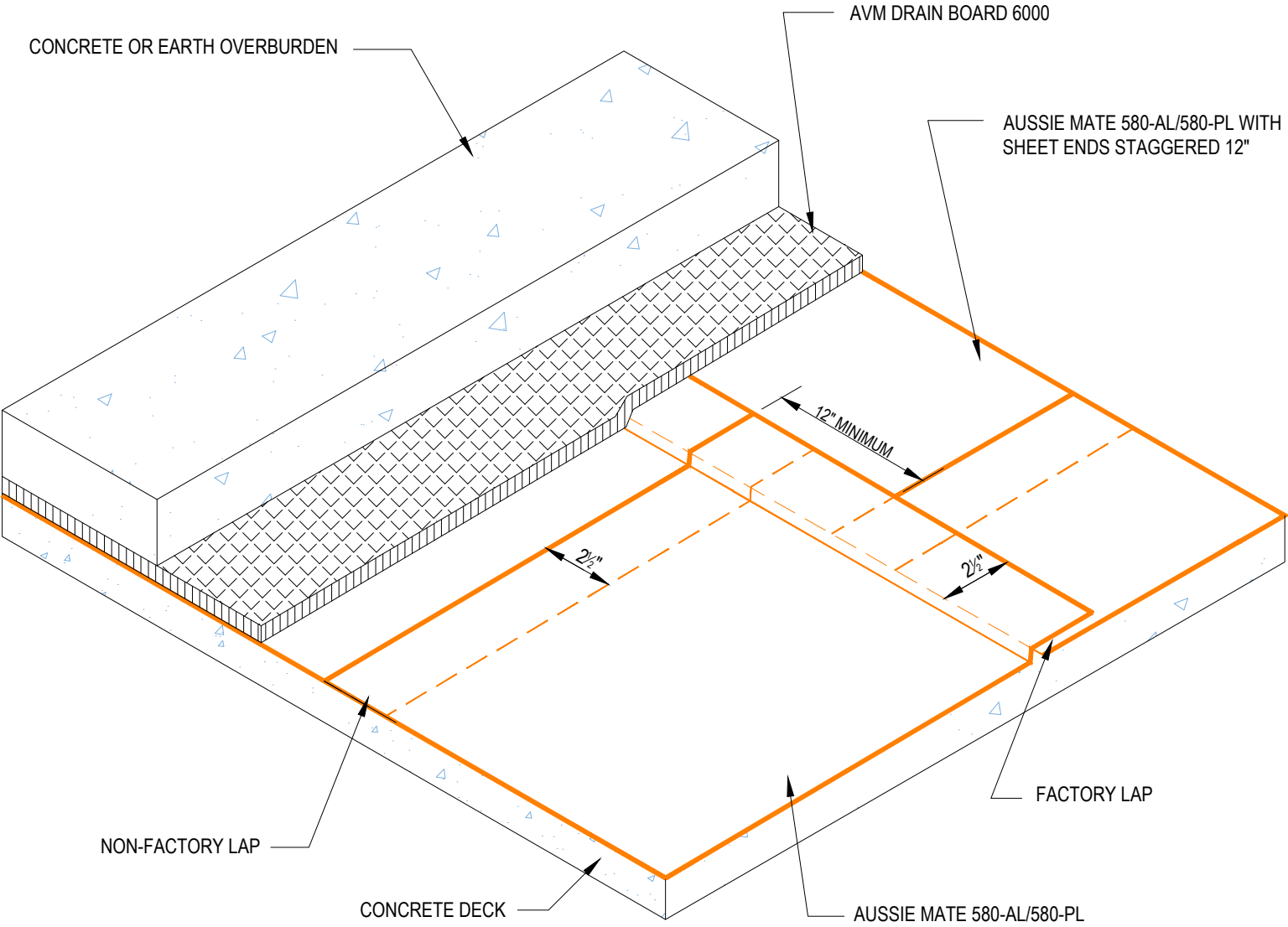
1. Aussie Mate 580-AL is an LARR approved Waterproofing membrane and Methane Barrier.
2. Aussie Mate 580-AL is a heavy duty bituminous sheet membrane with aluminum protection layer for Below-Grade waterproofing applications that is available in a 60-mil or 80-mil thickness. Aussie Mate 580-AL may also be used as a methane and/or vapor barrier under horizontal slabs on grade.
3. Aussie Mate 580-PL is a 60-mil heavy duty bituminous sheet waterproofing membrane with a poly liner for below-grade waterproofing applications. Aussie Mate 580-PL cannot be used as a methane/vapor barrier in slab on grade applications.
4. **UV Exposure Limits:** Aussie Mate 580-AL - Up to 180 days. Aussie Mate 580-PL - Up to 30 days
5. See "Aussie Mate 580 Installation Instructions" for system requirements.

DETAIL #:
 0580-AL_580-PL-1106
 System:
 Aussie Mate 580-AL/580-PL

Split Slab Assembly



AVM AUSSIE MATE 580-AL/580-PL



Notes:

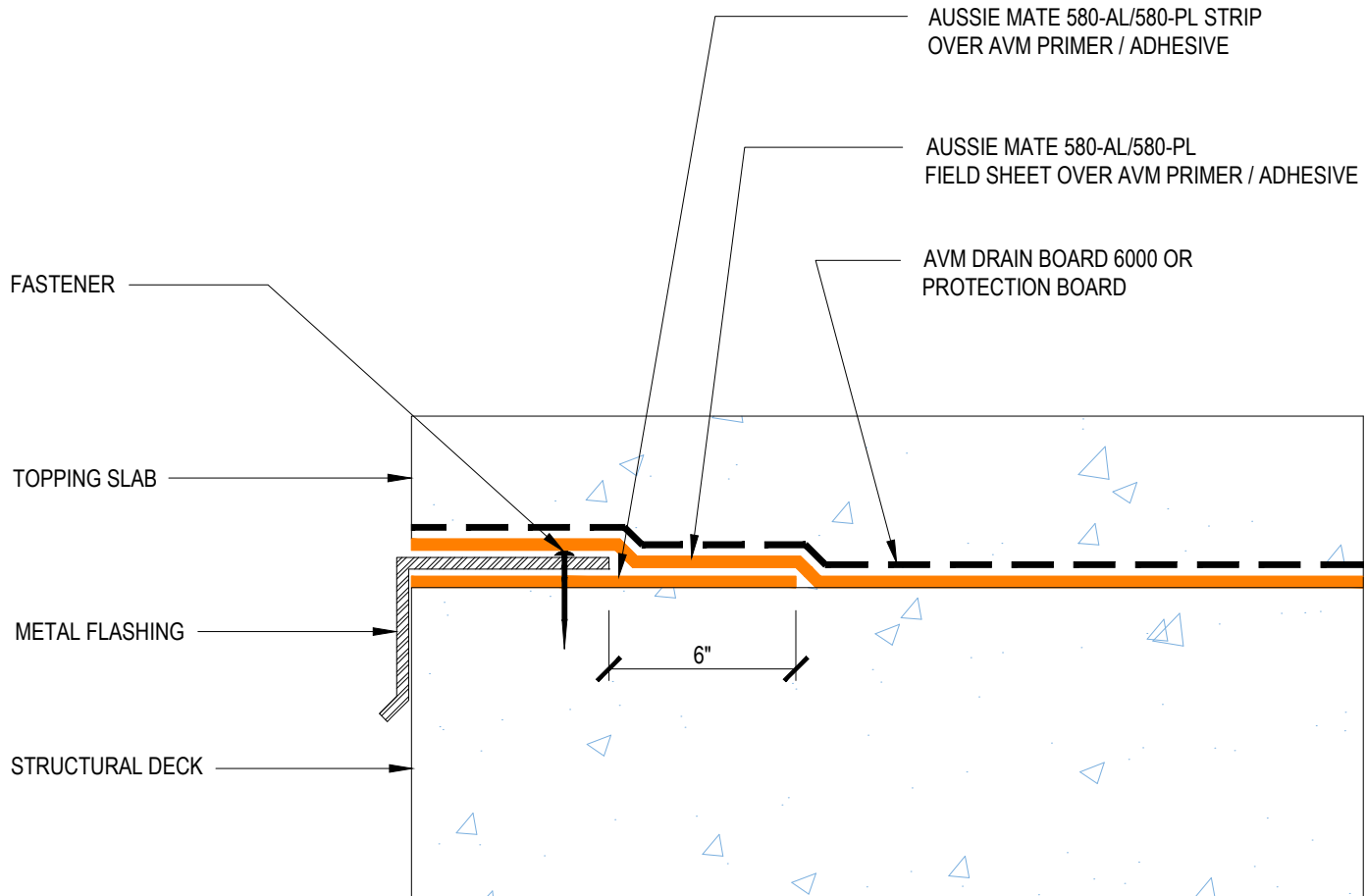
1. Aussie Mate 580-AL is an LARR approved Waterproofing membrane and Methane Barrier.
2. Aussie Mate 580-AL is a heavy duty bituminous sheet membrane with aluminum protection layer for Below-Grade waterproofing applications that is available in a 60-mil or 80-mil thickness. Aussie Mate 580-AL may also be used as a methane and/or vapor barrier under horizontal slabs on grade.
3. Aussie Mate 580-PL is a 60-mil heavy duty bituminous sheet waterproofing membrane with a poly liner for below-grade waterproofing applications. Aussie Mate 580-PL cannot be used as a methane/vapor barrier in slab on grade applications.
4. **UV Exposure Limits:** Aussie Mate 580-AL - Up to 180 days. Aussie Mate 580-PL - Up to 30 days
5. See "Aussie Mate 580 Installation Instructions" for system requirements.

DETAIL #:
0580-AL_580-PL-1108
System:
Aussie Mate 580-AL/580-PL

Split Slab Edge Termination



AVM AUSSIE MATE 580-AL/580-PL



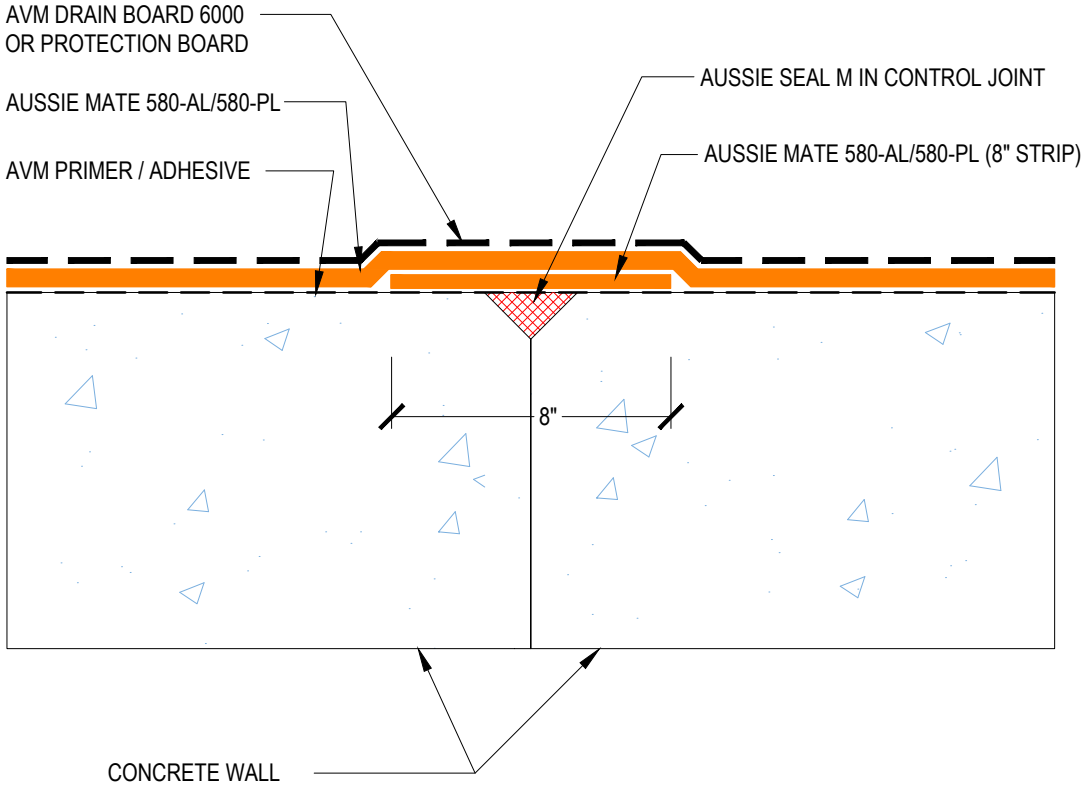
Notes:

1. Aussie Mate 580-AL is an LARR approved Waterproofing membrane and Methane Barrier.
2. Aussie Mate 580-AL is a heavy duty bituminous sheet membrane with aluminum protection layer for Below-Grade waterproofing applications that is available in a 60-mil or 80-mil thickness. Aussie Mate 580-AL may also be used as a methane and/or vapor barrier under horizontal slabs on grade.
3. Aussie Mate 580-PL is a 60-mil heavy duty bituminous sheet waterproofing membrane with a poly liner for below-grade waterproofing applications. Aussie Mate 580-PL cannot be used as a methane/vapor barrier in slab on grade applications.
4. **UV Exposure Limits:** Aussie Mate 580-AL - Up to 180 days. Aussie Mate 580-PL - Up to 30 days
5. See "Aussie Mate 580 Installation Instructions" for system requirements.

DETAIL #:
0580-AL_580-PL-1200
System:
Aussie Mate 580-AL/580-PL

Control Joint Detailing

AUSSIE MATE 580-AL/580-PL



PLAN VIEW

Notes:

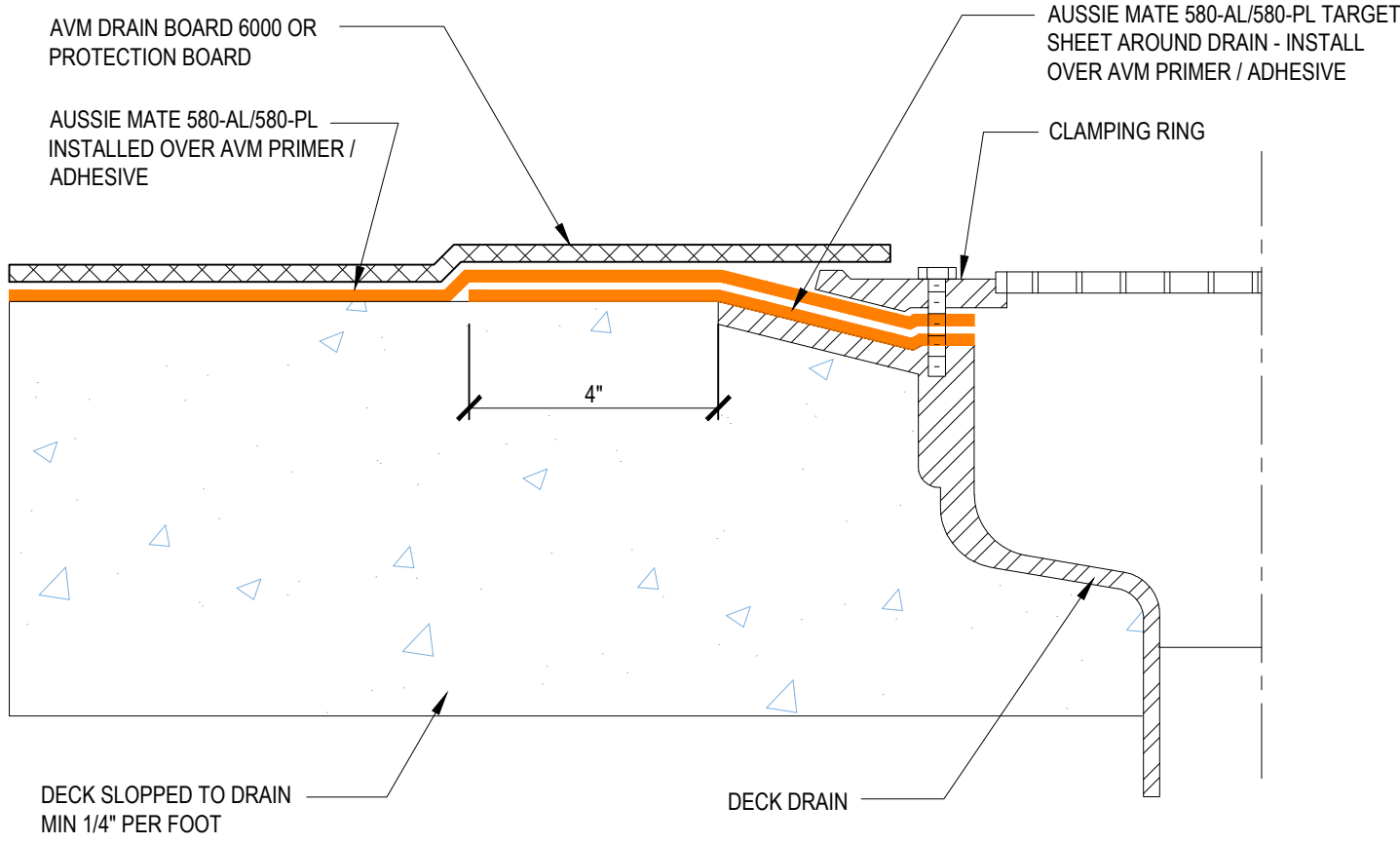
- 1. Aussie Mate 580-AL is an LARR approved Waterproofing membrane and Methane Barrier.
- 2. Aussie Mate 580-AL is a heavy duty bituminous sheet membrane with aluminum protection layer for Below-Grade waterproofing applications that is available in a 60-mil or 80-mil thickness. Aussie Mate 580-AL may also be used as a methane and/or vapor barrier under horizontal slabs on grade.
- 3. Aussie Mate 580-PL is a 60-mil heavy duty bituminous sheet waterproofing membrane with a poly liner for below-grade waterproofing applications. Aussie Mate 580-PL cannot be used as a methane/vapor barrier in slab on grade applications.
- 4. **UV Exposure Limits:** Aussie Mate 580-AL - Up to 180 days. Aussie Mate 580-PL - Up to 30 days
- 5. See "Aussie Mate 580 Installation Instructions" for system requirements.

DETAIL #:
0580-AL_580-PL-1504
System:
Aussie Mate 580-AL/580-PL

Deck Drain - Flush



AVM AUSSIE MATE 580-AL/580-PL



Notes:

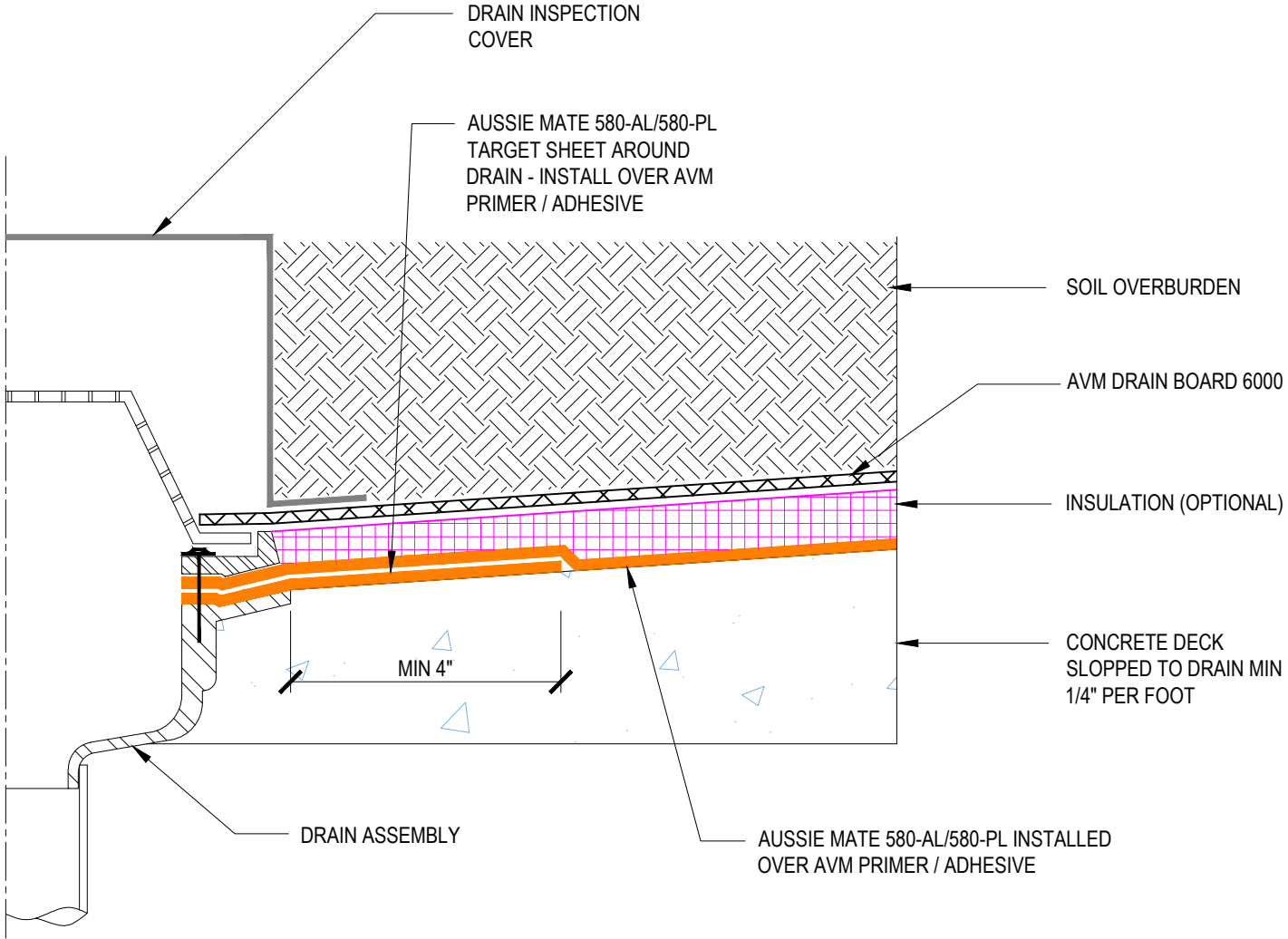
- 1. Aussie Mate 580-AL is an LARR approved Waterproofing membrane and Methane Barrier.
- 2. Aussie Mate 580-AL is a heavy duty bituminous sheet membrane with aluminum protection layer for Below-Grade waterproofing applications that is available in a 60-mil or 80-mil thickness. Aussie Mate 580-AL may also be used as a methane and/or vapor barrier under horizontal slabs on grade.
- 3. Aussie Mate 580-PL is a 60-mil heavy duty bituminous sheet waterproofing membrane with a poly liner for below-grade waterproofing applications. Aussie Mate 580-PL cannot be used as a methane/vapor barrier in slab on grade applications.
- 4. **UV Exposure Limits:** Aussie Mate 580-AL - Up to 180 days. Aussie Mate 580-PL - Up to 30 days
- 5. See "Aussie Mate 580 Installation Instructions" for system requirements.

DETAIL #:
 0580-AL_580-PL-1506
 System:
 Aussie Mate 580-AL/580-PL

Deck Drain with Inspection Cover



AVM AUSSIE MATE 580-AL/580-PL



Notes:

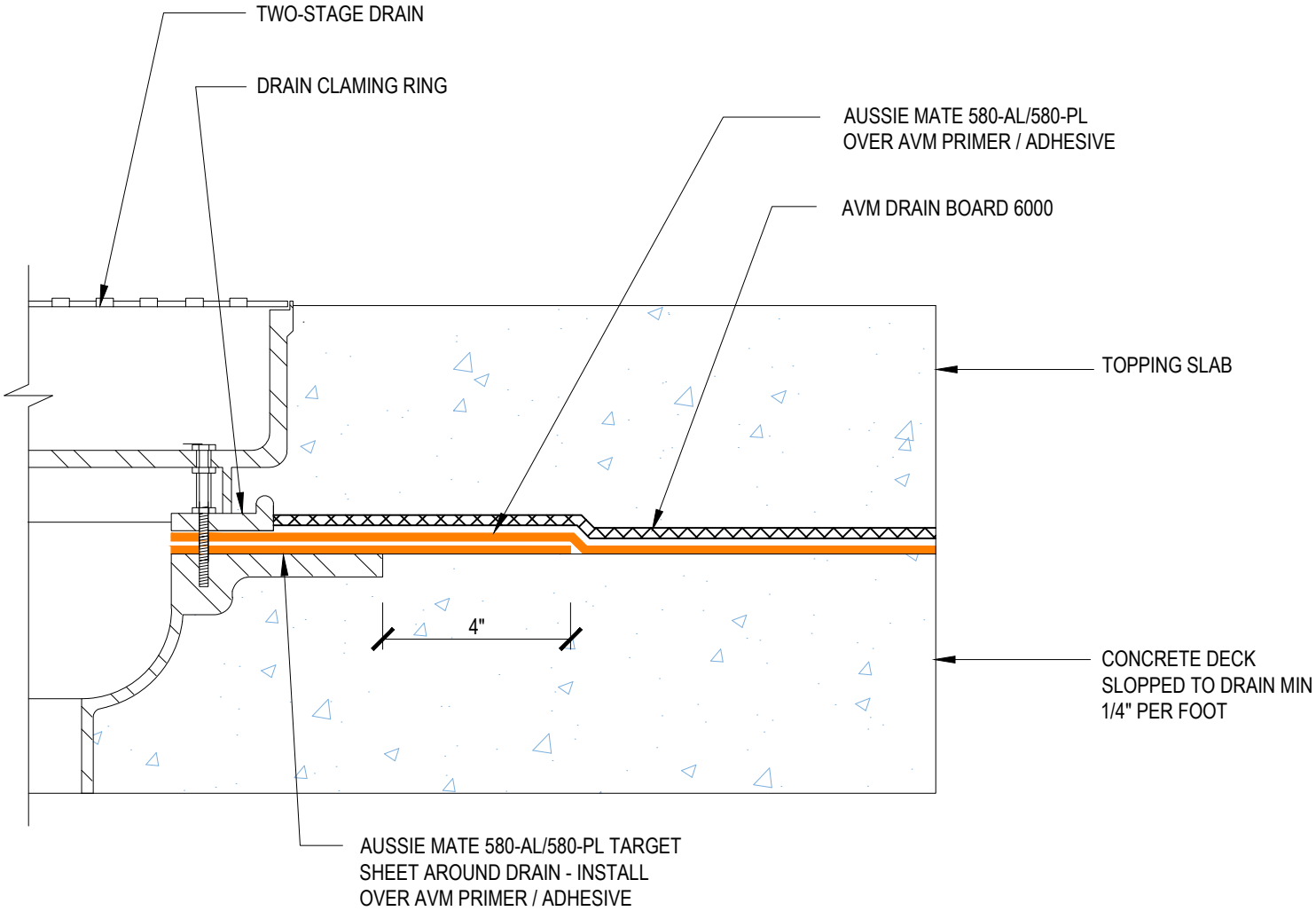
1. Aussie Mate 580-AL is an LARR approved Waterproofing membrane and Methane Barrier.
2. Aussie Mate 580-AL is a heavy duty bituminous sheet membrane with aluminum protection layer for Below-Grade waterproofing applications that is available in a 60-mil or 80-mil thickness. Aussie Mate 580-AL may also be used as a methane and/or vapor barrier under horizontal slabs on grade.
3. Aussie Mate 580-PL is a 60-mil heavy duty bituminous sheet waterproofing membrane with a poly liner for below-grade waterproofing applications. Aussie Mate 580-PL cannot be used as a methane/vapor barrier in slab on grade applications.
4. **UV Exposure Limits:** Aussie Mate 580-AL - Up to 180 days. Aussie Mate 580-PL - Up to 30 days
5. See "Aussie Mate 580 Installation Instructions" for system requirements.

DETAIL #:
0580-AL_580-PL-1508
System:
Aussie Mate 580-AL/580-PL

Split Slab Two-Stage Drain



AVM AUSSIE MATE 580-AL/580-PL



Notes:

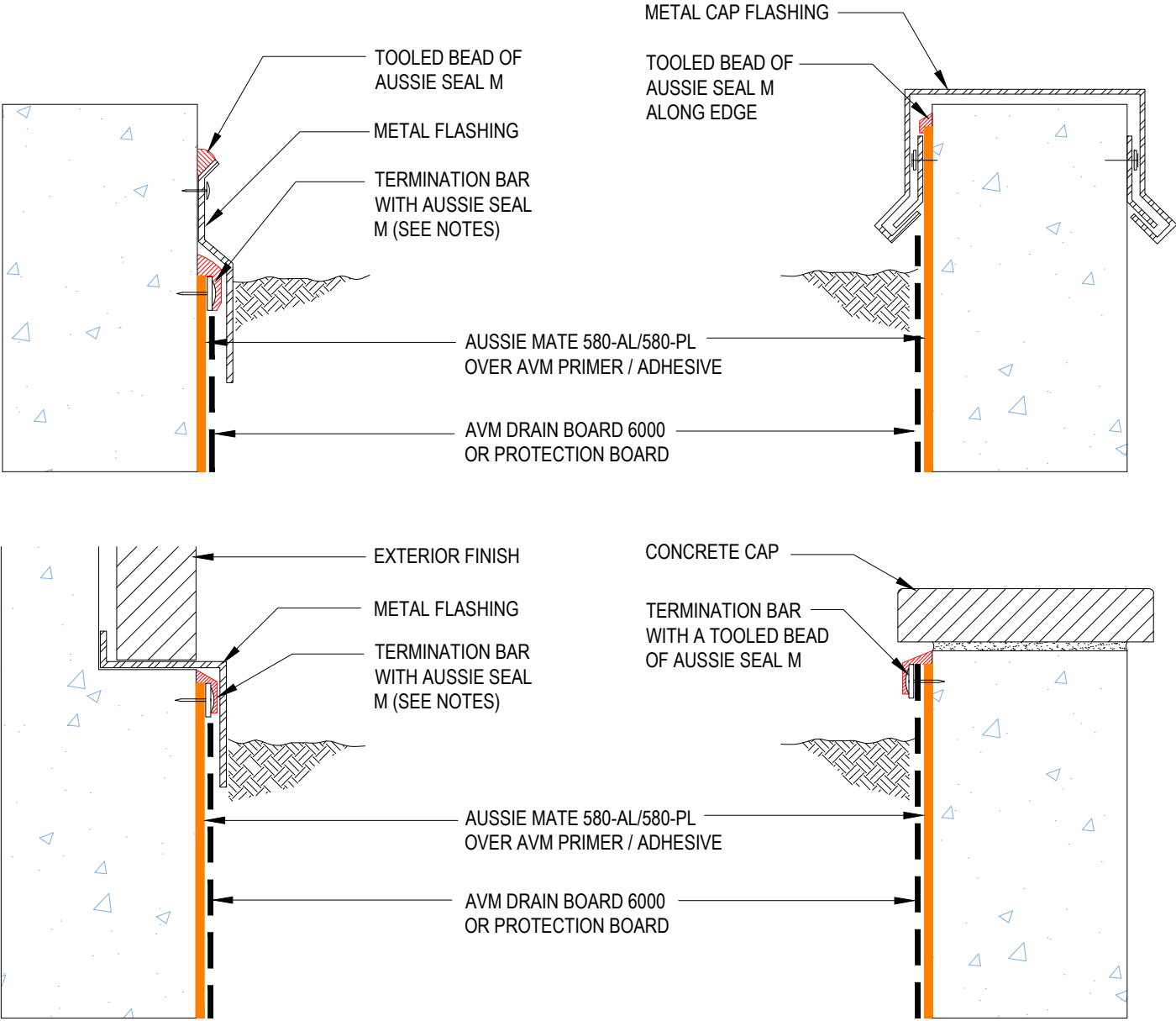
- 1. Aussie Mate 580-AL is an LARR approved Waterproofing membrane and Methane Barrier.
- 2. Aussie Mate 580-AL is a heavy duty bituminous sheet membrane with aluminum protection layer for Below-Grade waterproofing applications that is available in a 60-mil or 80-mil thickness. Aussie Mate 580-AL may also be used as a methane and/or vapor barrier under horizontal slabs on grade.
- 3. Aussie Mate 580-PL is a 60-mil heavy duty bituminous sheet waterproofing membrane with a poly liner for below-grade waterproofing applications. Aussie Mate 580-PL cannot be used as a methane/vapor barrier in slab on grade applications.
- 4. **UV Exposure Limits:** Aussie Mate 580-AL - Up to 180 days. Aussie Mate 580-PL - Up to 30 days
- 5. See "Aussie Mate 580 Installation Instructions" for system requirements.

DETAIL #:
 0580-AL_580-PL-6002
 System:
 Aussie Mate 580-AL/580-PL

Planter Terminations



AVM AUSSIE MATE 580-AL/580-PL



Notes:

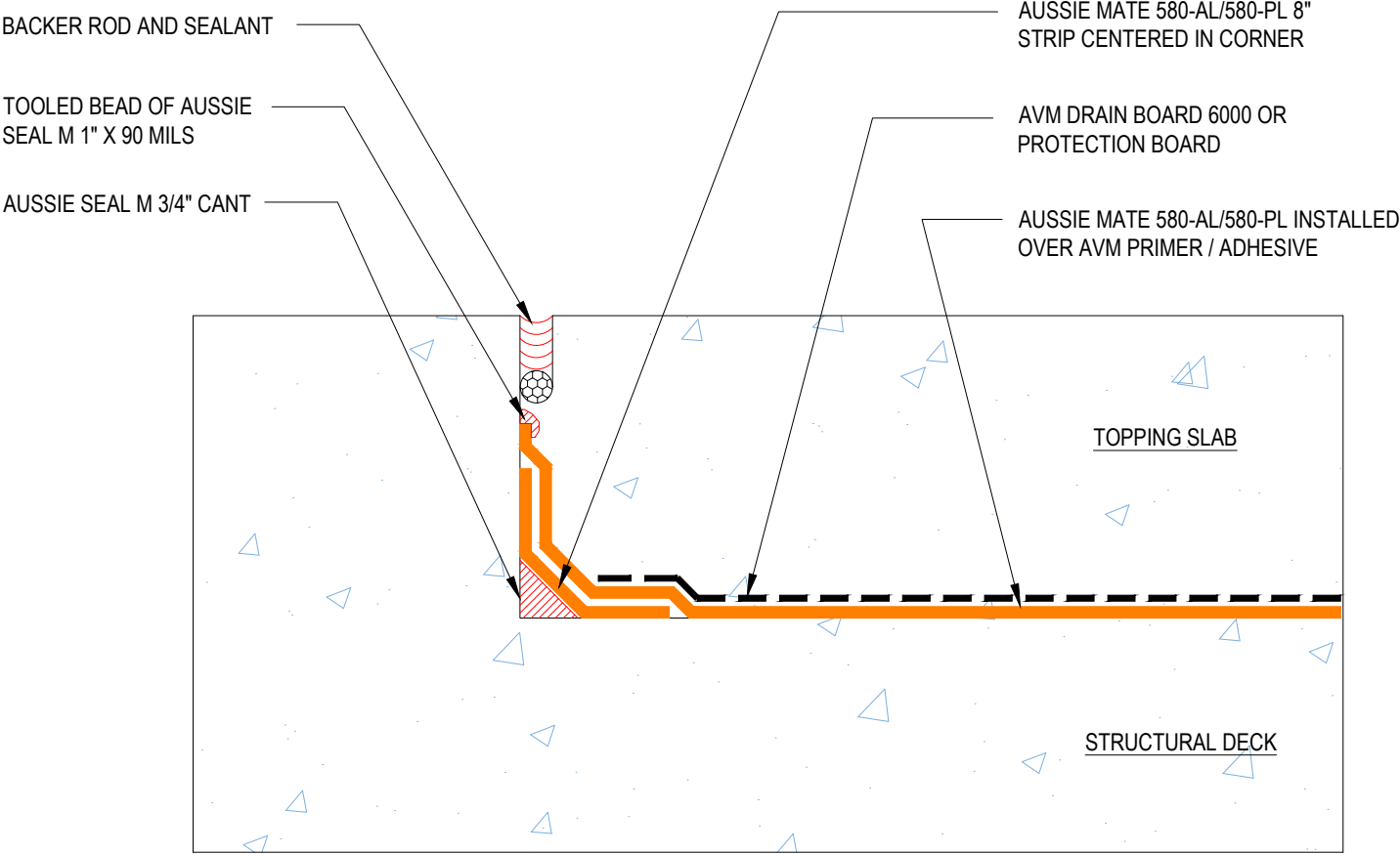
1. Aussie Mate 580-AL is an LARR approved Waterproofing membrane and Methane Barrier.
2. Aussie Mate 580-AL is a heavy duty bituminous sheet membrane with aluminum protection layer for Below-Grade waterproofing applications that is available in a 60-mil or 80-mil thickness. Aussie Mate 580-AL may also be used as a methane and/or vapor barrier under horizontal slabs on grade.
3. Aussie Mate 580-PL is a 60-mil heavy duty bituminous sheet waterproofing membrane with a poly liner for below-grade waterproofing applications. Aussie Mate 580-PL cannot be used as a methane/vapor barrier in slab on grade applications.
4. **UV Exposure Limits:** Aussie Mate 580-AL - Up to 180 days. Aussie Mate 580-PL - Up to 30 days
5. See "Aussie Mate 580 Installation Instructions" for system requirements.

DETAIL #: 0580-AL_580-PL-6004
System: Aussie Mate 580-AL/580-PL

Sidewalk Termination



AVM AUSSIE MATE 580-AL/580-PL



Notes:

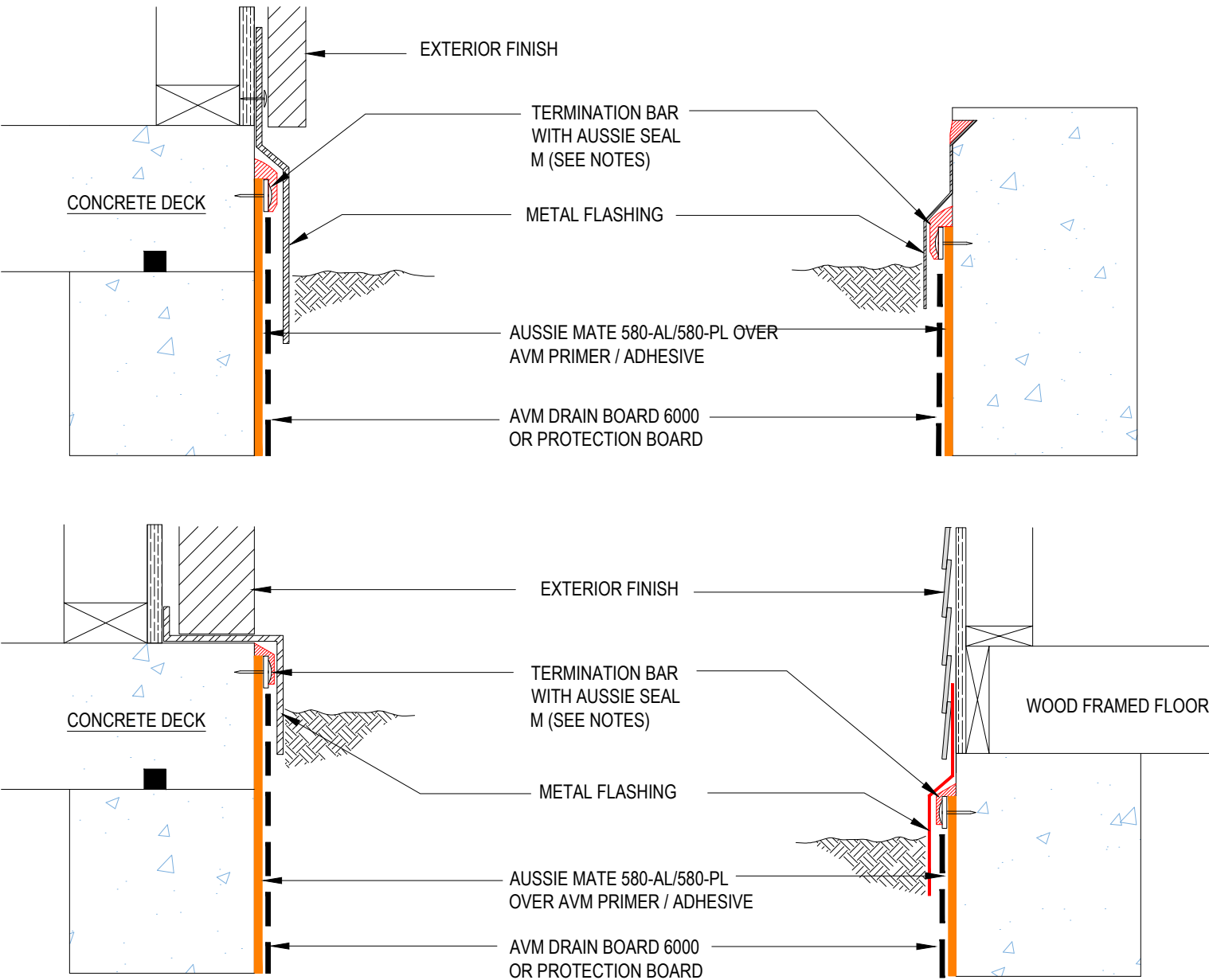
1. Aussie Mate 580-AL is an LARR approved Waterproofing membrane and Methane Barrier.
2. Aussie Mate 580-AL is a heavy duty bituminous sheet membrane with aluminum protection layer for Below-Grade waterproofing applications that is available in a 60-mil or 80-mil thickness. Aussie Mate 580-AL may also be used as a methane and/or vapor barrier under horizontal slabs on grade.
3. Aussie Mate 580-PL is a 60-mil heavy duty bituminous sheet waterproofing membrane with a poly liner for below-grade waterproofing applications. Aussie Mate 580-PL cannot be used as a methane/vapor barrier in slab on grade applications.
4. **UV Exposure Limits:** Aussie Mate 580-AL - Up to 180 days. Aussie Mate 580-PL - Up to 30 days
5. See "Aussie Mate 580 Installation Instructions" for system requirements.

DETAIL #:
 0580-AL_580-PL-6006
 System:
 Aussie Mate 580-AL/580-PL

Backfilled Wall Terminations



AVM AUSSIE MATE 580-AL/580-PL



Notes:

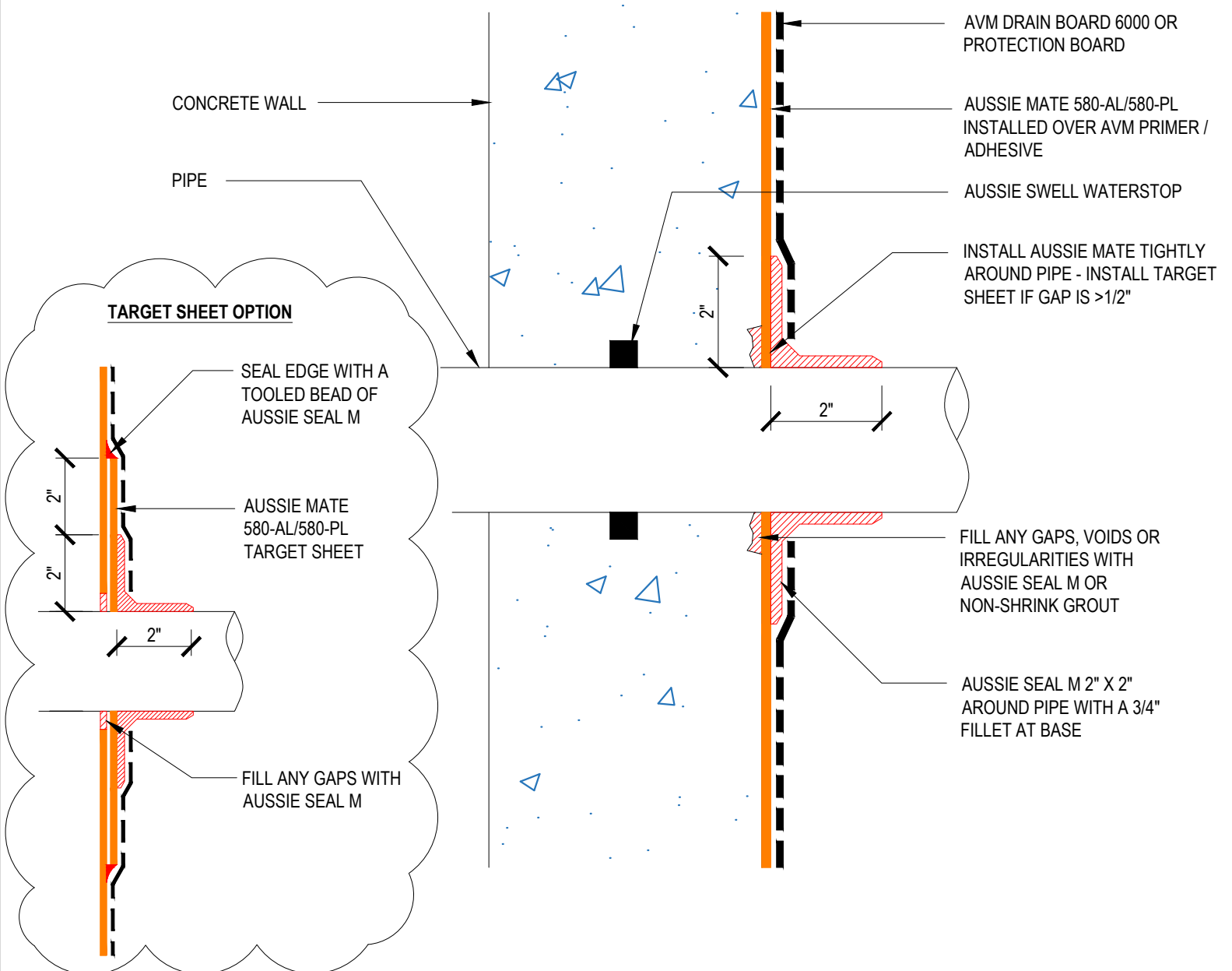
1. Aussie Mate 580-AL is an LARR approved Waterproofing membrane and Methane Barrier.
2. Aussie Mate 580-AL is a heavy duty bituminous sheet membrane with aluminum protection layer for Below-Grade waterproofing applications that is available in a 60-mil or 80-mil thickness. Aussie Mate 580-AL may also be used as a methane and/or vapor barrier under horizontal slabs on grade.
3. Aussie Mate 580-PL is a 60-mil heavy duty bituminous sheet waterproofing membrane with a poly liner for below-grade waterproofing applications. Aussie Mate 580-PL cannot be used as a methane/vapor barrier in slab on grade applications.
4. **UV Exposure Limits:** Aussie Mate 580-AL - Up to 180 days. Aussie Mate 580-PL - Up to 30 days
5. See "Aussie Mate 580 Installation Instructions" for system requirements.

DETAIL #:
 0580-AL_580-PL-6502
 System:
 Aussie Mate 580-AL/580-PL

Typical Wall Penetration



AVM AUSSIE MATE 580-AL/580-PL



Notes:

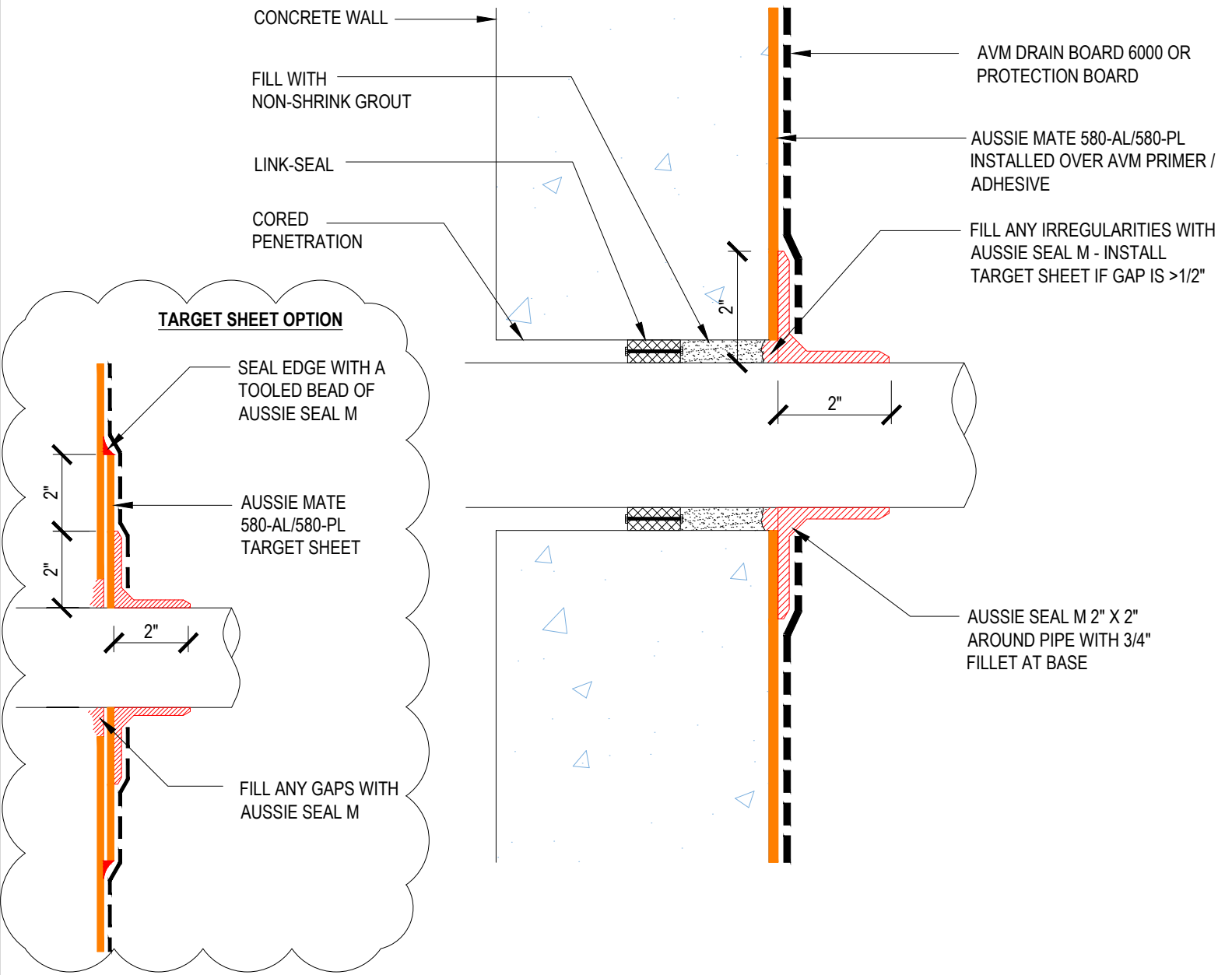
1. Aussie Mate 580-AL is an LARR approved Waterproofing membrane and Methane Barrier.
2. Aussie Mate 580-AL is a heavy duty bituminous sheet membrane with aluminum protection layer for Below-Grade waterproofing applications that is available in a 60-mil or 80-mil thickness. Aussie Mate 580-AL may also be used as a methane and/or vapor barrier under horizontal slabs on grade.
3. Aussie Mate 580-PL is a 60-mil heavy duty bituminous sheet waterproofing membrane with a poly liner for below-grade waterproofing applications. Aussie Mate 580-PL cannot be used as a methane/vapor barrier in slab on grade applications.
4. **UV Exposure Limits:** Aussie Mate 580-AL - Up to 180 days. Aussie Mate 580-PL - Up to 30 days
5. See "Aussie Mate 580 Installation Instructions" for system requirements.

DETAIL #:
 0580-AL_580-PL-6504
 System:
 Aussie Mate 580-AL/580-PL

Cored Wall Penetration



AVM AUSSIE MATE 580-AL/580-PL



Notes:

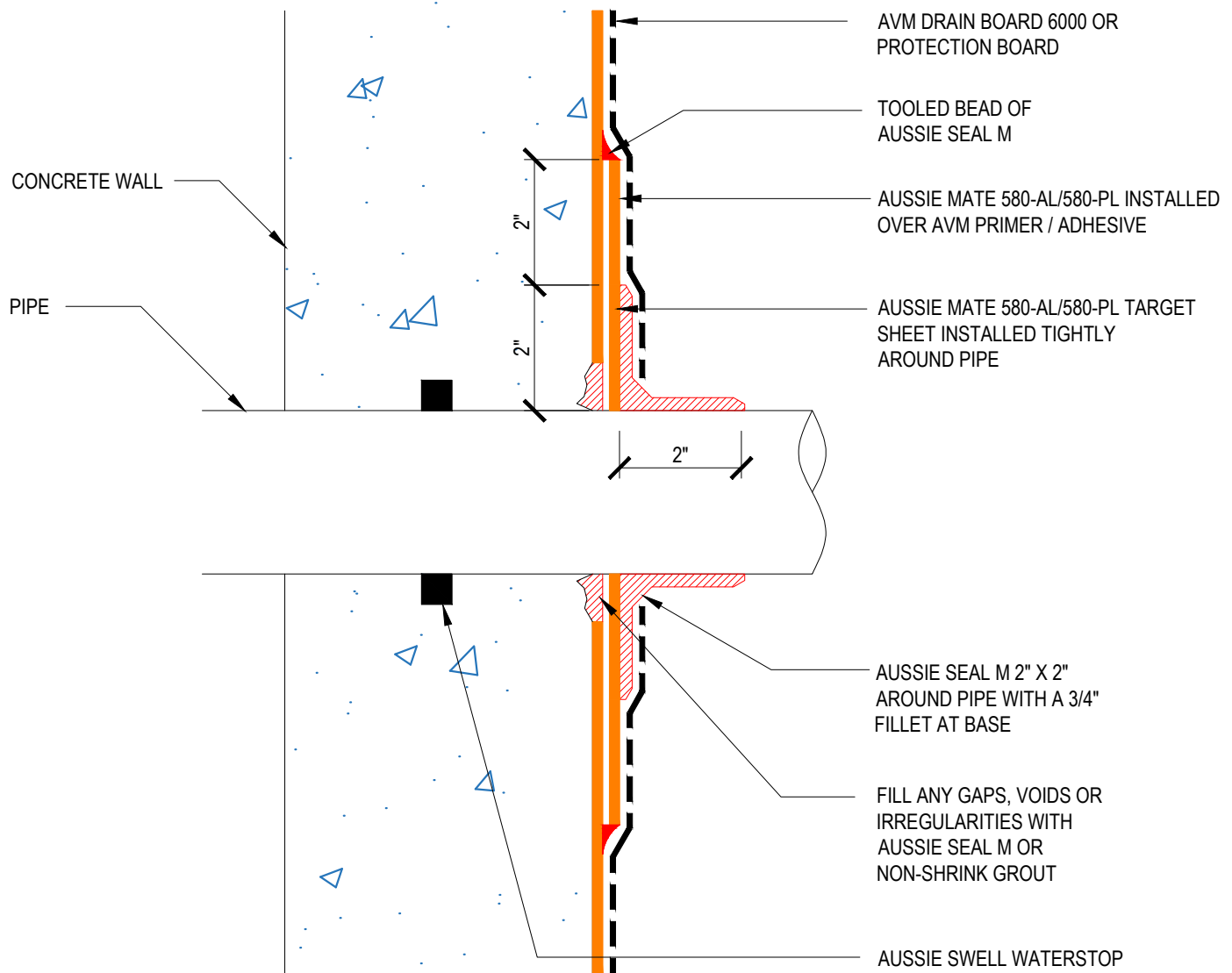
1. Aussie Mate 580-AL is an LARR approved Waterproofing membrane and Methane Barrier.
2. Aussie Mate 580-AL is a heavy duty bituminous sheet membrane with aluminum protection layer for Below-Grade waterproofing applications that is available in a 60-mil or 80-mil thickness. Aussie Mate 580-AL may also be used as a methane and/or vapor barrier under horizontal slabs on grade.
3. Aussie Mate 580-PL is a 60-mil heavy duty bituminous sheet waterproofing membrane with a poly liner for below-grade waterproofing applications. Aussie Mate 580-PL cannot be used as a methane/vapor barrier in slab on grade applications.
4. **UV Exposure Limits:** Aussie Mate 580-AL - Up to 180 days. Aussie Mate 580-PL - Up to 30 days
5. See "Aussie Mate 580 Installation Instructions" for system requirements.

DETAIL #:
 0580-AL_580-PL-6506
 System:
 Aussie Mate 580-AL/580-PL

Penetration Target Sheet



AVM AUSSIE MATE 580-AL/580-PL



Notes:

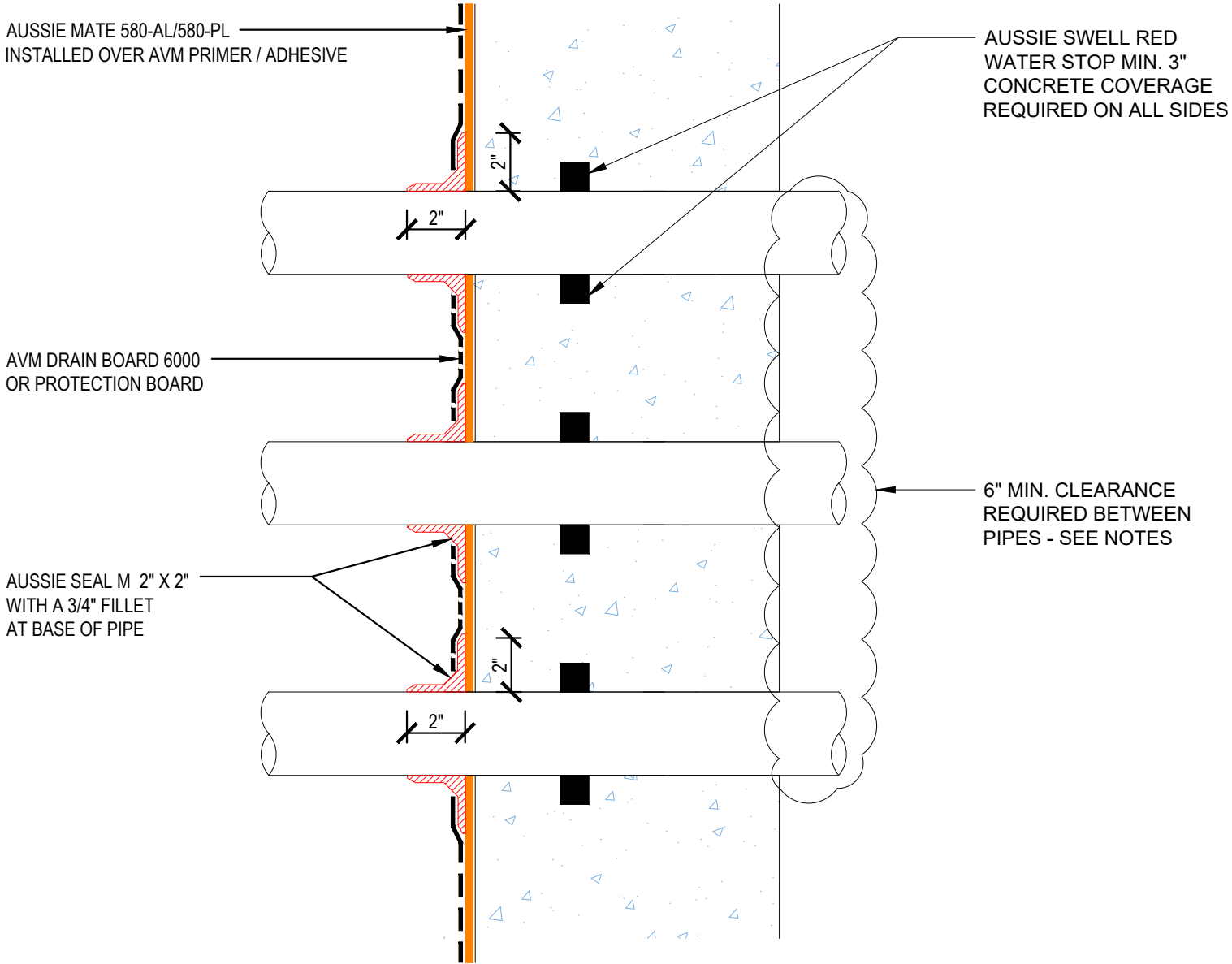
1. Aussie Mate 580-AL is an LARR approved Waterproofing membrane and Methane Barrier.
2. Aussie Mate 580-AL is a heavy duty bituminous sheet membrane with aluminum protection layer for Below-Grade waterproofing applications that is available in a 60-mil or 80-mil thickness. Aussie Mate 580-AL may also be used as a methane and/or vapor barrier under horizontal slabs on grade.
3. Aussie Mate 580-PL is a 60-mil heavy duty bituminous sheet waterproofing membrane with a poly liner for below-grade waterproofing applications. Aussie Mate 580-PL cannot be used as a methane/vapor barrier in slab on grade applications.
4. **UV Exposure Limits:** Aussie Mate 580-AL - Up to 180 days. Aussie Mate 580-PL - Up to 30 days
5. See "Aussie Mate 580 Installation Instructions" for system requirements.

DETAIL #:
 0580-AL_580-PL-6510
 System:
 Aussie Mate 580-AL/580-PL

Multiple Pipe Penetration



AVM AUSSIE MATE 580-AL/580-PL



Notes:

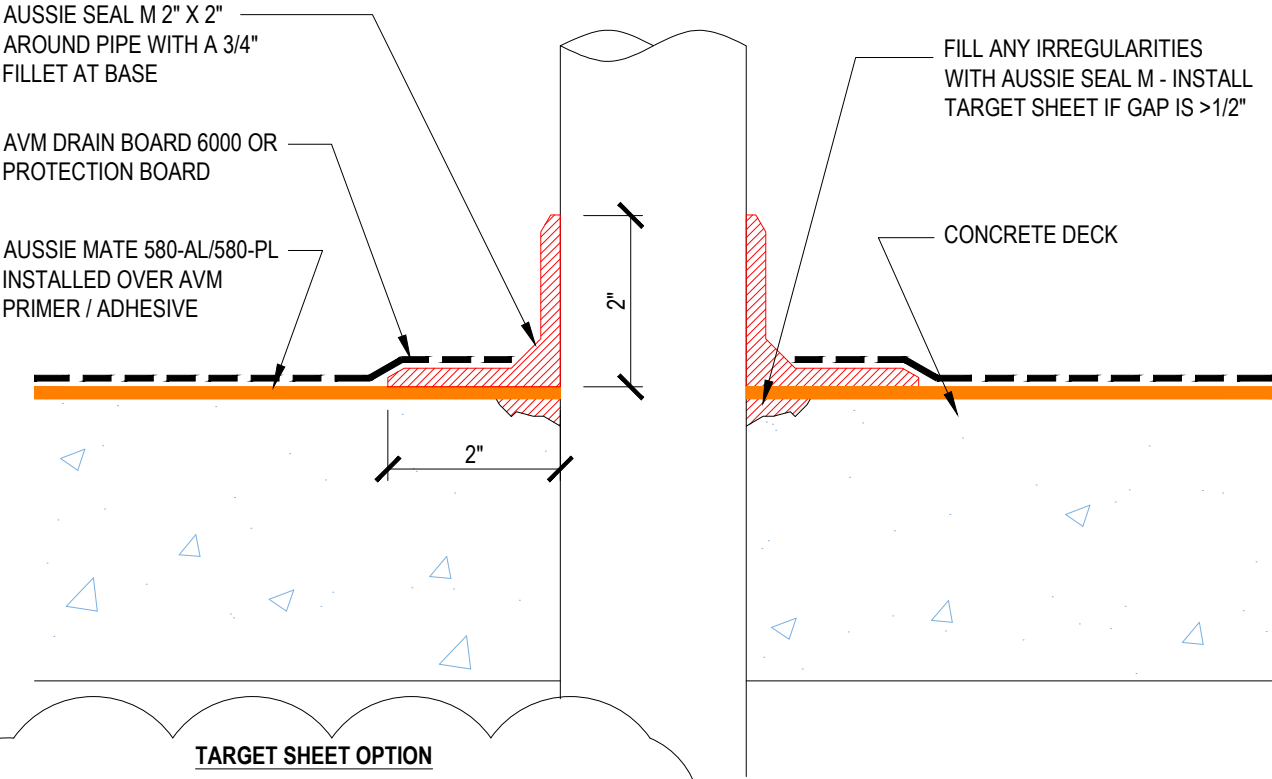
1. Aussie Mate 580-AL is an LARR approved Waterproofing membrane and Methane Barrier.
2. Aussie Mate 580-AL is a heavy duty bituminous sheet membrane with aluminum protection layer for Below-Grade waterproofing applications that is available in a 60-mil or 80-mil thickness. Aussie Mate 580-AL may also be used as a methane and/or vapor barrier under horizontal slabs on grade.
3. Aussie Mate 580-PL is a 60-mil heavy duty bituminous sheet waterproofing membrane with a poly liner for below-grade waterproofing applications. Aussie Mate 580-PL cannot be used as a methane/vapor barrier in slab on grade applications.
4. **UV Exposure Limits:** Aussie Mate 580-AL - Up to 180 days. Aussie Mate 580-PL - Up to 30 days
5. See "Aussie Mate 580 Installation Instructions" for system requirements.

DETAIL #:
0580-AL_580-PL-6512
 System:
Aussie Mate 580-AL/580-PL

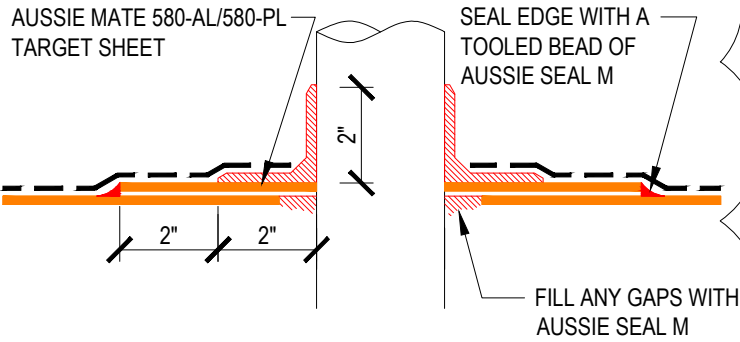
Deck Pipe Penetration



AVM AUSSIE MATE 580-AL/580-PL



TARGET SHEET OPTION



Notes:

1. Aussie Mate 580-AL is an LARR approved Waterproofing membrane and Methane Barrier.
2. Aussie Mate 580-AL is a heavy duty bituminous sheet membrane with aluminum protection layer for Below-Grade waterproofing applications that is available in a 60-mil or 80-mil thickness. Aussie Mate 580-AL may also be used as a methane and/or vapor barrier under horizontal slabs on grade.
3. Aussie Mate 580-PL is a 60-mil heavy duty bituminous sheet waterproofing membrane with a poly liner for below-grade waterproofing applications. Aussie Mate 580-PL cannot be used as a methane/vapor barrier in slab on grade applications.
4. **UV Exposure Limits:** Aussie Mate 580-AL - Up to 180 days. Aussie Mate 580-PL - Up to 30 days
5. See "Aussie Mate 580 Installation Instructions" for system requirements.

DETAIL #:
0580-AL_580-PL-7004

System:

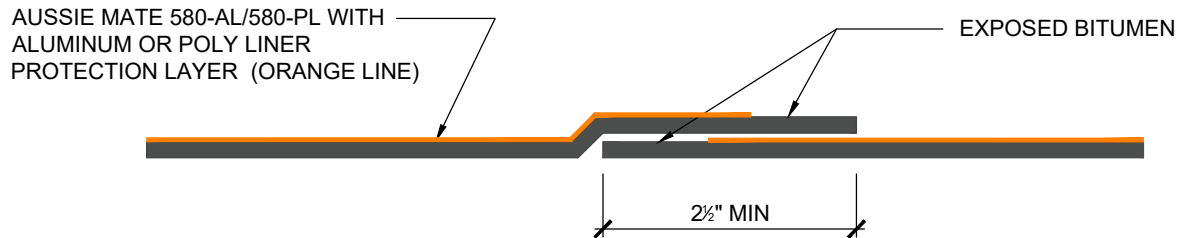
Aussie Mate 580-AL/580-PL

Standard Overlap



AVM AUSSIE MATE 580-AL/580-PL

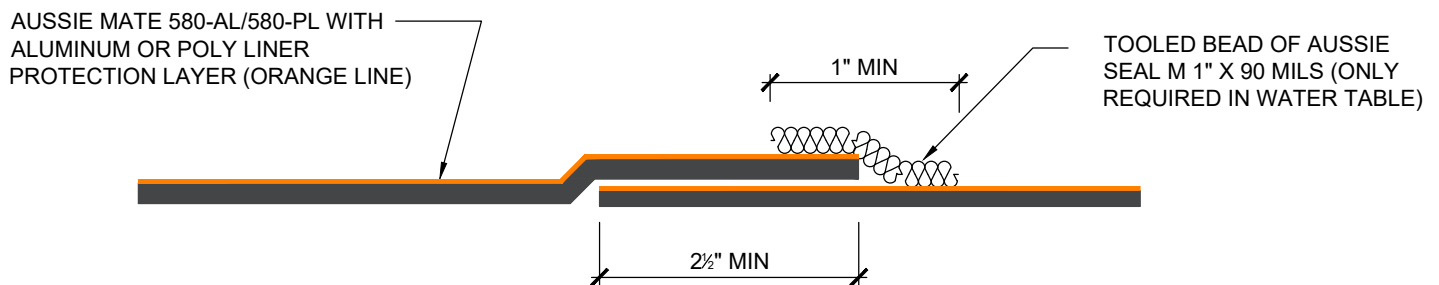
FACTORY LAP



Important Note: When installing the "Factory Lap", The Installation procedure should be as follows:

1. Before bonding the next layer of Aussie Mate to an existing layer, Remove both clear plastic films from the factory laps (Where the protection layer ends)
2. Make sure surfaces are clean before bonding overlaps.
3. Install the next sheet of Aussie Mate with a minimum 2-1/2" overlap.
4. Roll the steel roller over the lap several times while applying pressure to ensure proper adhesion.
5. In cold weather, using heat gun will improve adhesion.

NON-FACTORY LAP



Important Note: When installing the "Non-Factory Lap", The Installation procedure should be as follows:

1. Make sure surfaces are clean before bonding overlaps.
2. Install the next sheet of Aussie Mate with a minimum 2-1/2" overlap.
3. Roll the steel roller over the lap several times while applying pressure to ensure proper adhesion.
4. In cold weather, using heat gun will improve adhesion.
5. In the water-table, on non-factory laps Apply Sealant (Aussie Seal M) over the seam.

Notes:

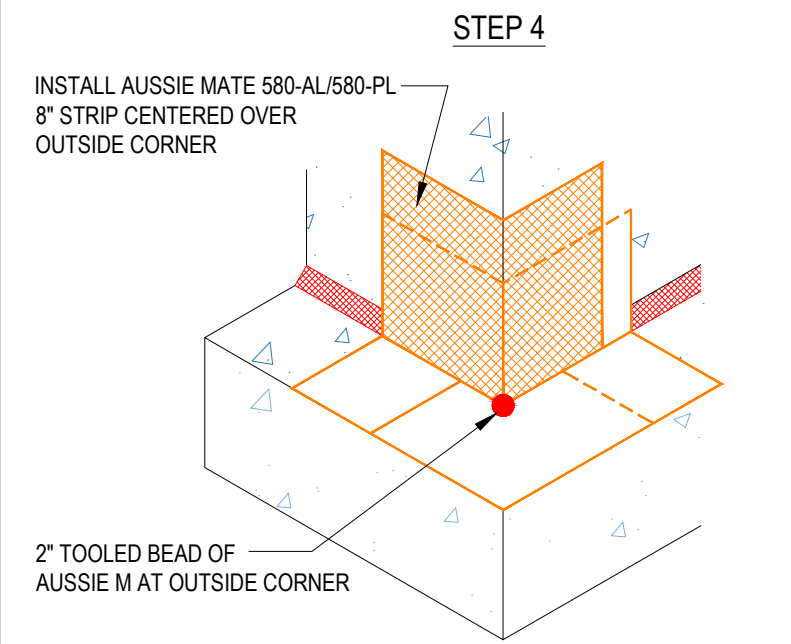
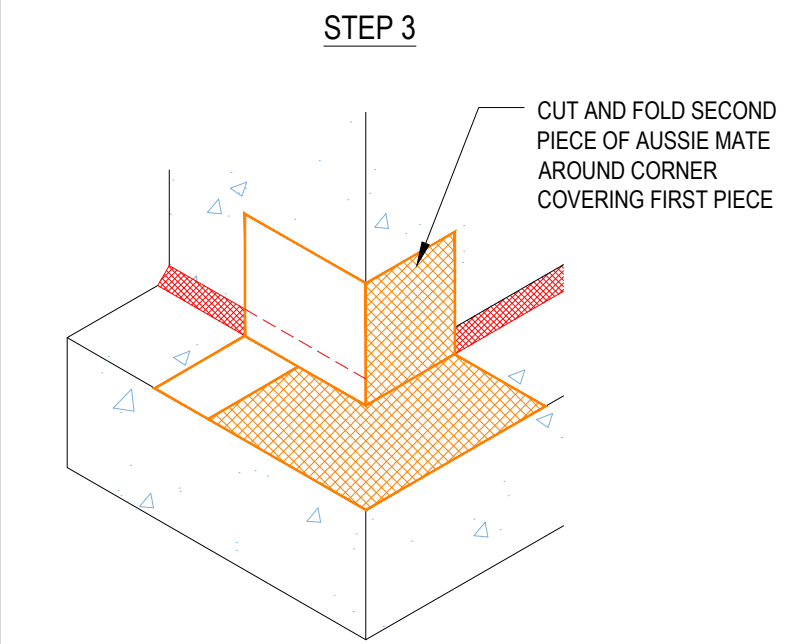
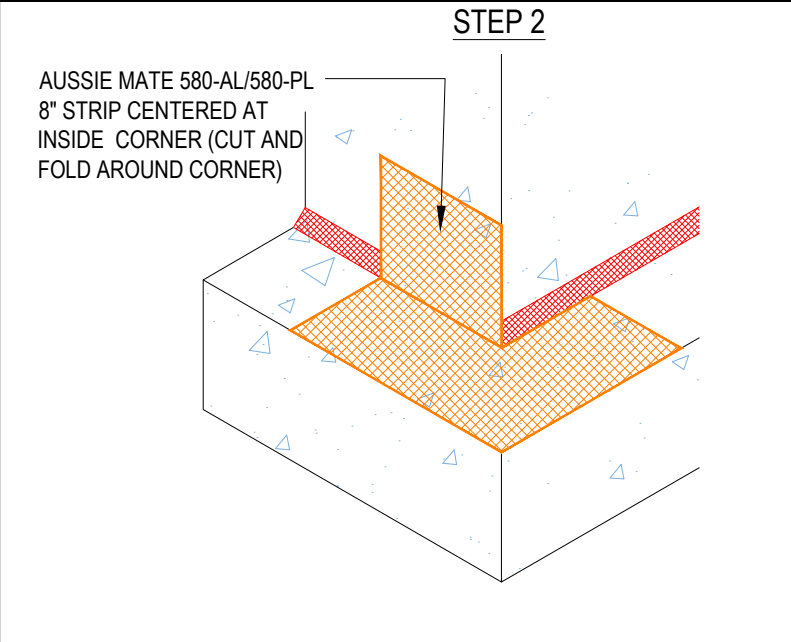
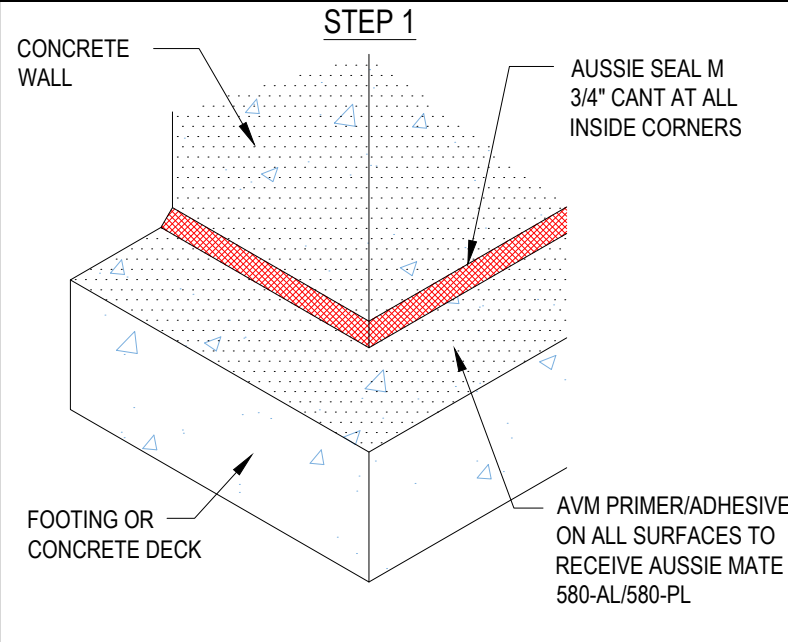
1. Aussie Mate 580-AL is an LARR approved Waterproofing membrane and Methane Barrier.
2. Aussie Mate 580-AL is a heavy duty bituminous sheet membrane with aluminum protection layer for Below-Grade waterproofing applications that is available in a 60-mil or 80-mil thickness. Aussie Mate 580-AL may also be used as a methane and/or vapor barrier under horizontal slabs on grade.
3. Aussie Mate 580-PL is a 60-mil heavy duty bituminous sheet waterproofing membrane with a poly liner for below-grade waterproofing applications. Aussie Mate 580-PL cannot be used as a methane/vapor barrier in slab on grade applications.
4. **UV Exposure Limits:** Aussie Mate 580-AL - Up to 180 days. Aussie Mate 580-PL - Up to 30 days
5. See "Aussie Mate 580 Installation Instructions" for system requirements.

DETAIL #:
 0580-AL_580-PL-7006
 System:
 Aussie Mate 580-AL/580-PL

Outside Corner



AVM AUSSIE MATE 580-AL/580-PL



Notes:

1. Aussie Mate 580-AL is an LARR approved Waterproofing membrane and Methane Barrier.
2. Aussie Mate 580-AL is a heavy duty bituminous sheet membrane with aluminum protection layer for Below-Grade waterproofing applications that is available in a 60-mil or 80-mil thickness. Aussie Mate 580-AL may also be used as a methane and/or vapor barrier under horizontal slabs on grade.
3. Aussie Mate 580-PL is a 60-mil heavy duty bituminous sheet waterproofing membrane with a poly liner for below-grade waterproofing applications. Aussie Mate 580-PL cannot be used as a methane/vapor barrier in slab on grade applications.
4. **UV Exposure Limits:** Aussie Mate 580-AL - Up to 180 days. Aussie Mate 580-PL - Up to 30 days
5. See "Aussie Mate 580 Installation Instructions" for system requirements.

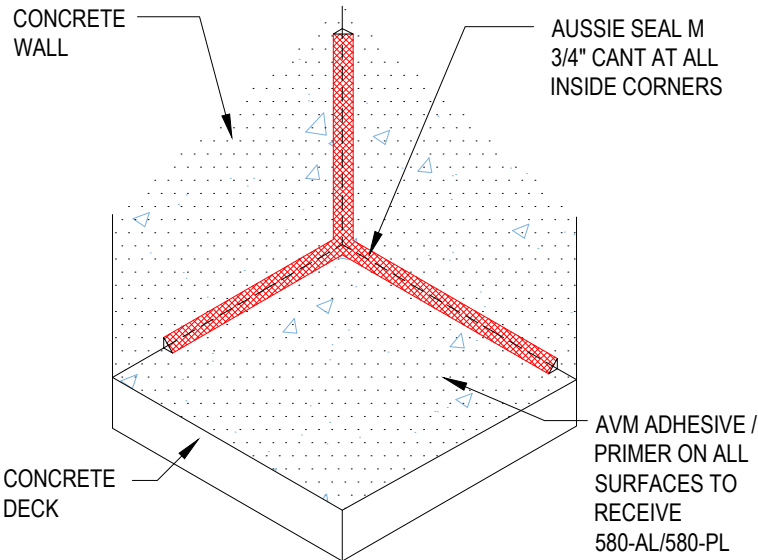
DETAIL #:
0580-AL_580-PL-7008
 System:
Aussie Mate 580-AL/580-PL

Inside Corner

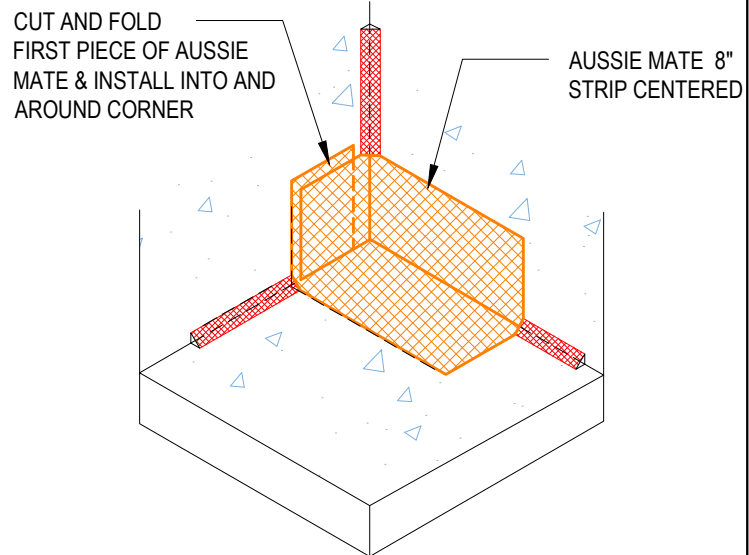


AVM AUSSIE MATE 580-AL/580-PL

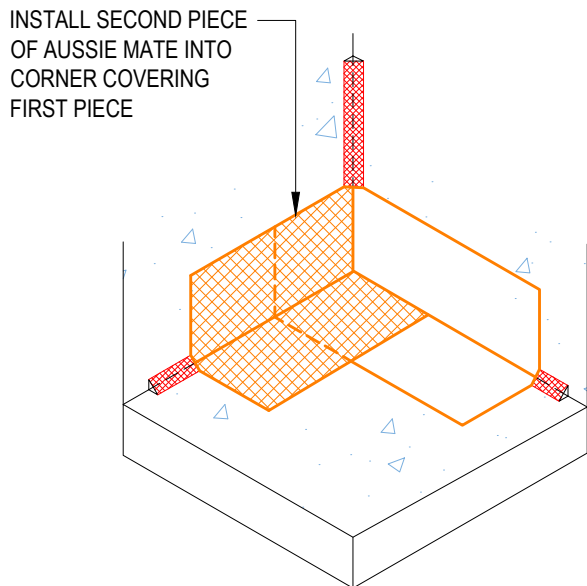
STEP 1



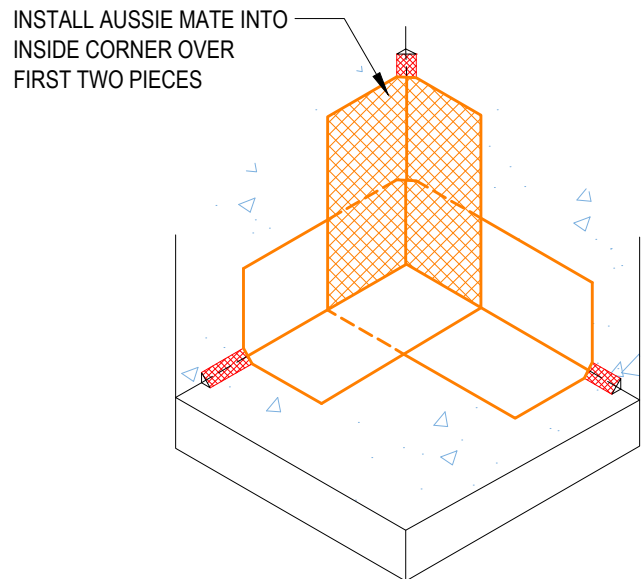
STEP 2



STEP 3



STEP 4



Notes:

1. Aussie Mate 580-AL is an LARR approved Waterproofing membrane and Methane Barrier.
2. Aussie Mate 580-AL is a heavy duty bituminous sheet membrane with aluminum protection layer for Below-Grade waterproofing applications that is available in a 60-mil or 80-mil thickness. Aussie Mate 580-AL may also be used as a methane and/or vapor barrier under horizontal slabs on grade.
3. Aussie Mate 580-PL is a 60-mil heavy duty bituminous sheet waterproofing membrane with a poly liner for below-grade waterproofing applications. Aussie Mate 580-PL cannot be used as a methane/vapor barrier in slab on grade applications.
4. **UV Exposure Limits:** Aussie Mate 580-AL - Up to 180 days. Aussie Mate 580-PL - Up to 30 days
5. See "Aussie Mate 580 Installation Instructions" for system requirements.