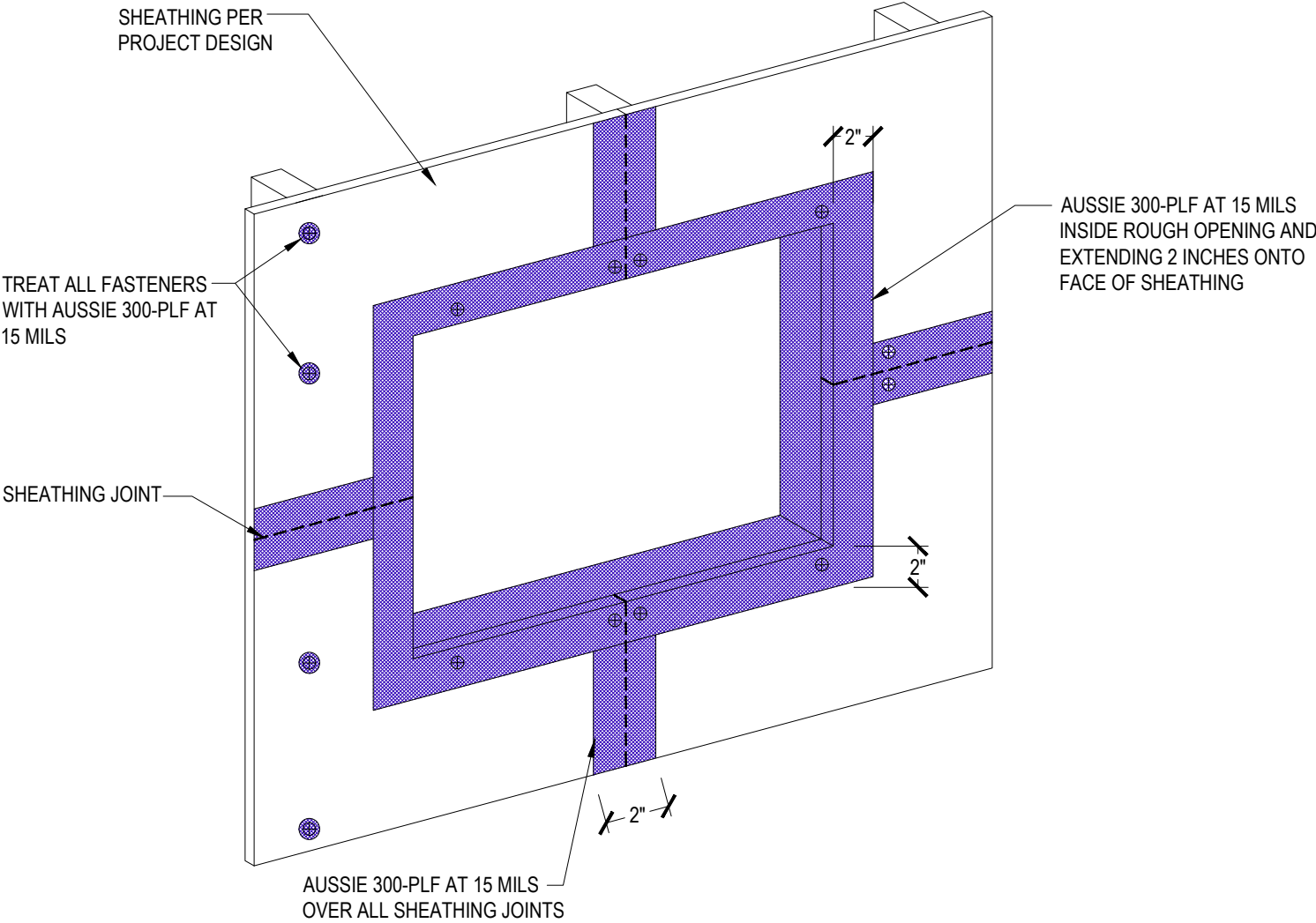


DETAIL #:
0300-PLM-1100
Aussie Shield 300-PLM

Typical Window Flashing

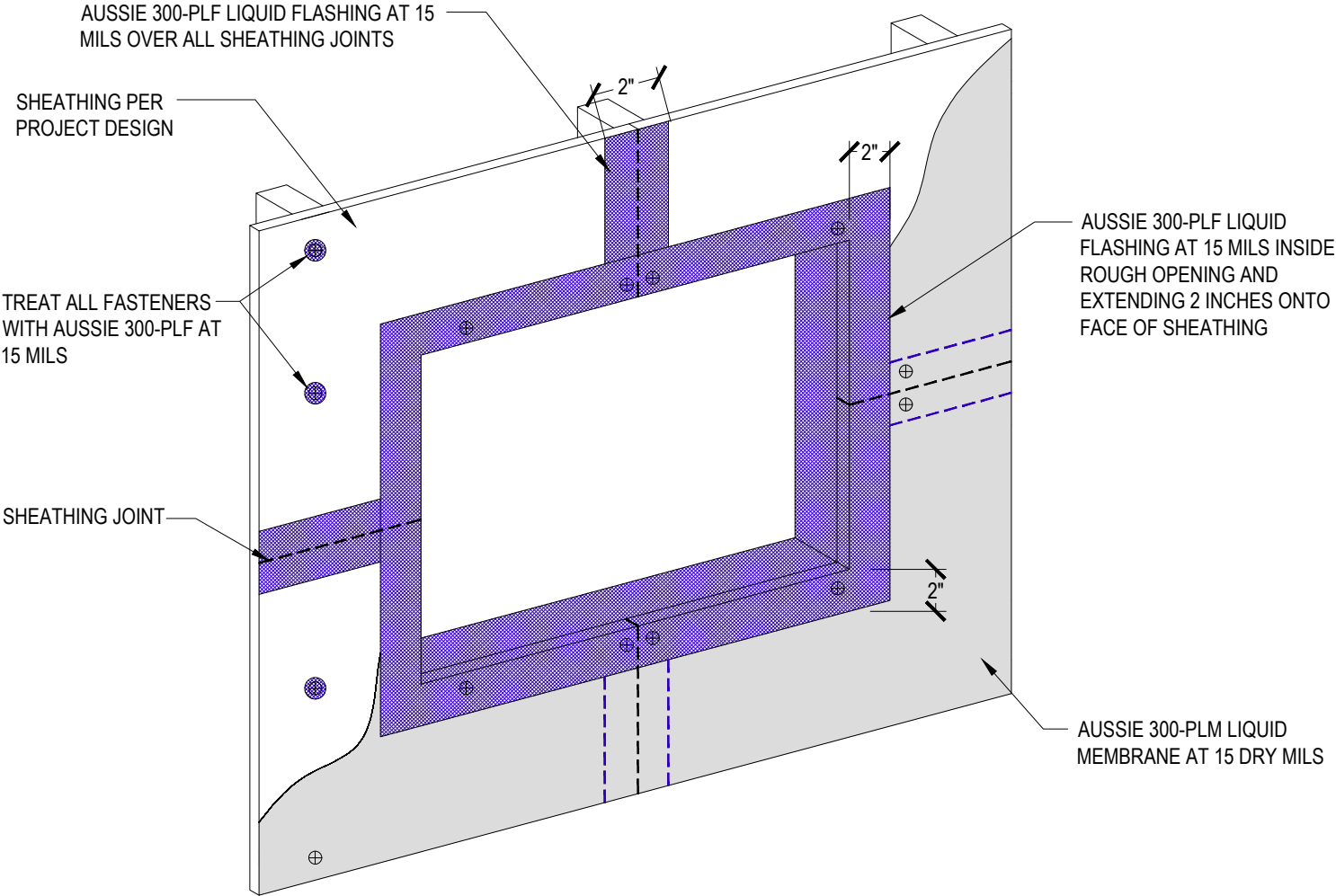
Aussie Shield 300-PLM



DETAIL #:
0300-PLM-1102
Aussie Shield 300-PLM

Typical Window Flashing

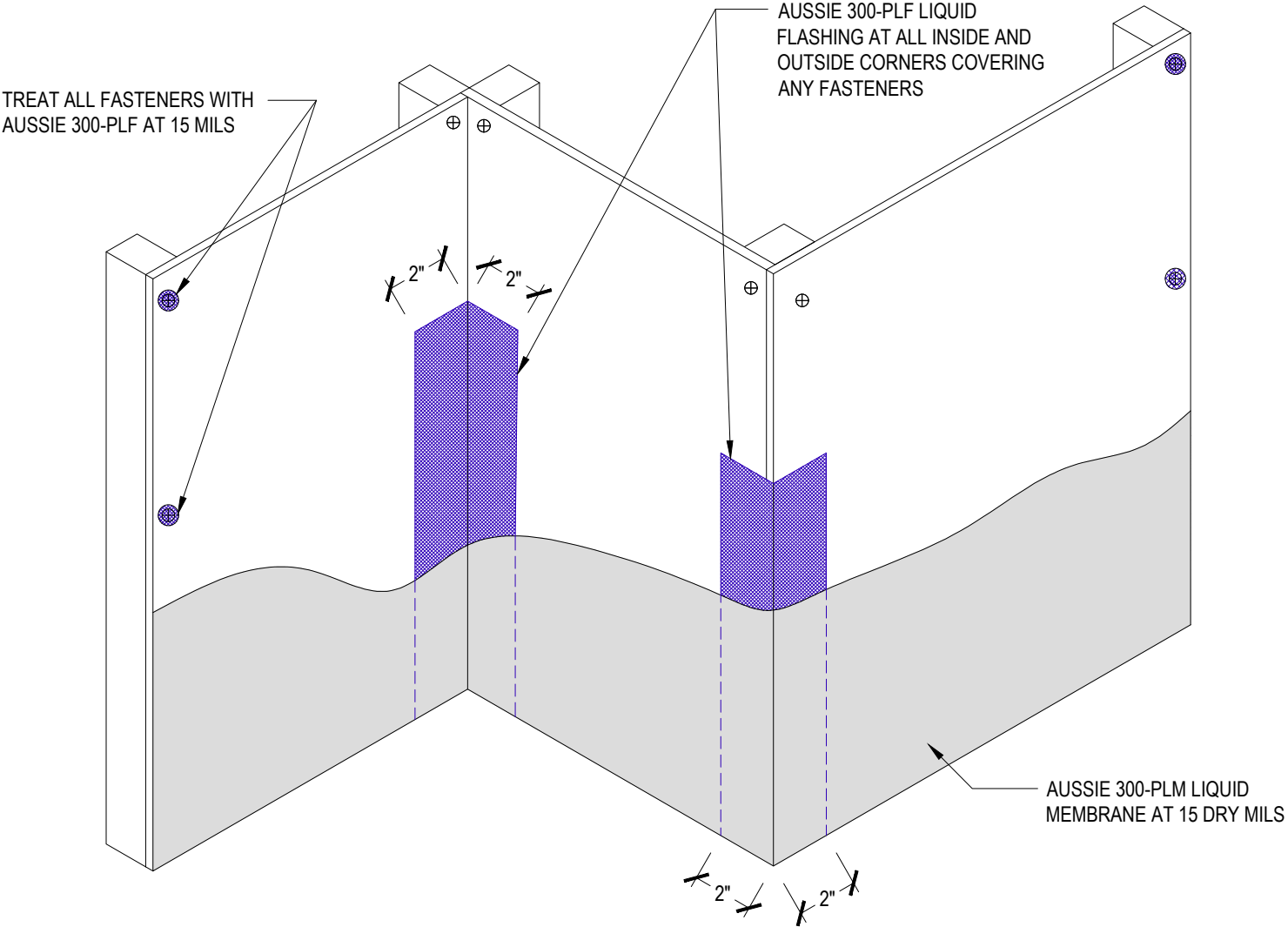
Aussie Shield 300-PLM



DETAIL #:
0300-PLM-1115
Aussie Shield 300-PLM

Inside and Outside Corners

Aussie Shield 300-PLM



DETAIL #:
0300-PLM-1120
Aussie Shield 300-PLM

Typical Penetration

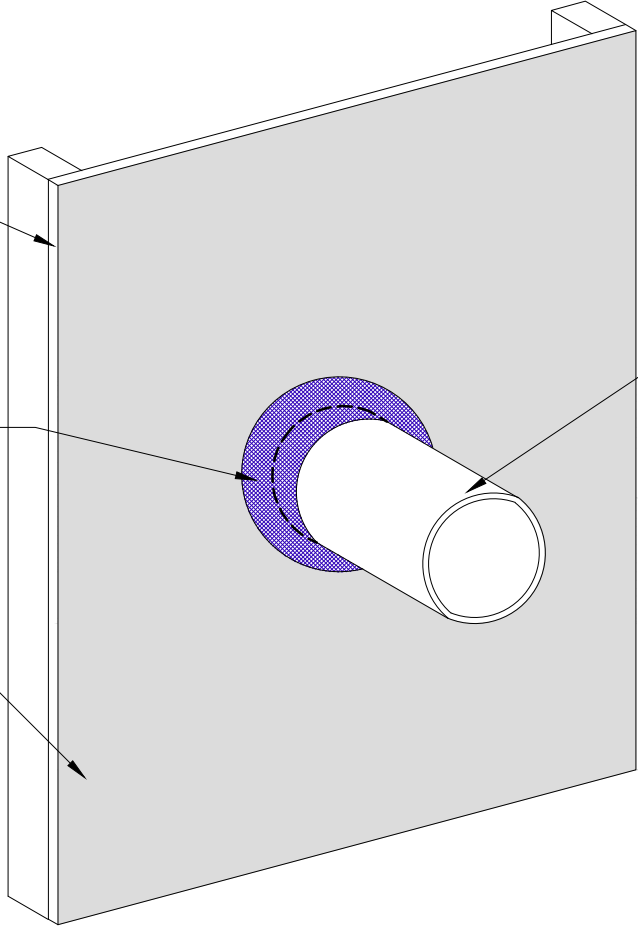
Aussie Shield 300-PLM



SHEATHING PER PROJECT DESIGN

AUSSIE 300-PLF LIQUID FLASHING AT 15 MILS EXTENDING 2" ONTO SHEATHING AND 2" UP THE PIPE

AUSSIE 300-PLM LIQUID MEMBRANE AT 15 DRY MILS



PIPE PENETRATION